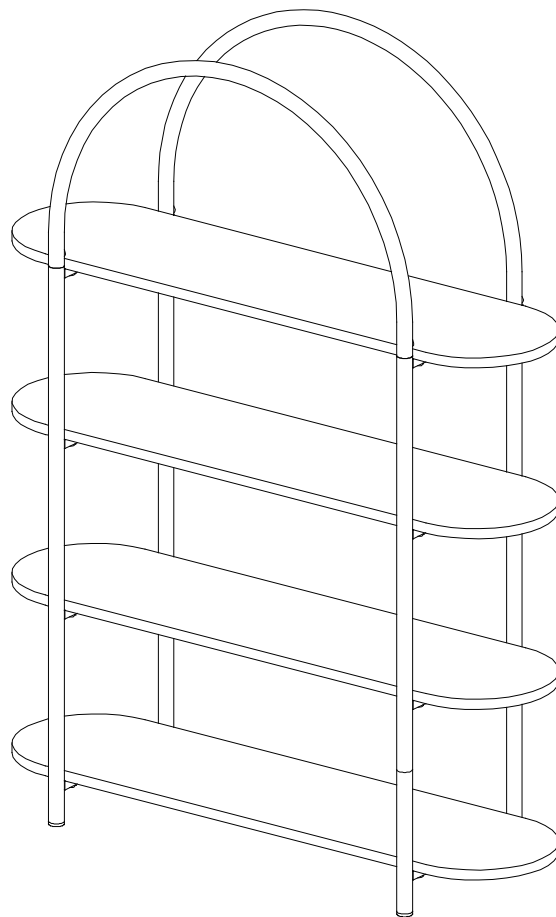


*Cooper & Co.*

**Willow**

# Large Shelving

ASSEMBLY  
INSTRUCTIONS



# Cheers for making this yours!

Cooper & Co is your go-to source for homeware that's as stylish as it is affordable! With our carefully curated selection, we aim to bring you the best of both worlds, ensuring that you can create a space that reflects your personal style without breaking the bank.

We're on a mission to sprinkle some pizzazz into every home. Whether you're looking to transform your living room, kitchen, or bedroom into a masterpiece, fret not! With us, you don't have to sacrifice quality or design.

## TIPS BEFORE YOU START

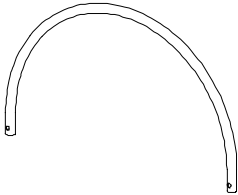
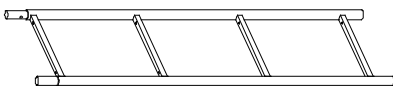
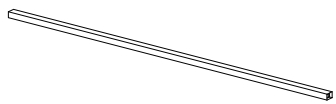
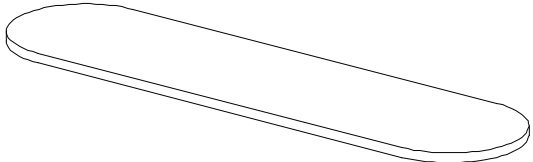
1. Sit back, take a deep breath, and get ready to dive into the laid-back world of furniture assembly. We've got your back with some simple instructions that will have you relaxing with your amazing new piece in no time.
2. Please check that all parts are present before you start the assembly of your furniture.
3. For ease and speed of assembly, we recommend that before you commence each step of the assembly, that you identify all the parts required for that step.
4. For larger items, please ensure that you have sufficient space and people to assemble your product safely.
5. We recommend that, where possible, all items are assembled near to the area in which they will be placed in use, to avoid moving the product unnecessarily once assembled.
6. For the protection of your furniture, we recommend that the product is placed on a protected surface during assembly to prevent any damage.
7. During assembly please take care not to over-tighten any fittings, as this may damage the product. Do not use power tools.
8. Always place the product on a flat, steady and stable surface.
9. Do not stand on the product. Do not use the product as a stepladder.
10. This product is intended for indoor, household use only as it is a non-industrial product.
11. Please use caution and care when lifting the product to avoid personal injury and/or product damage.

## ASSEMBLY REQUIREMENTS




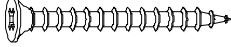
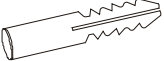

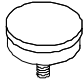
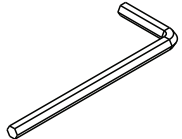
- 1.5m x 1.5m assembly space required. Give your furniture some breathing room!
- Approximately 1 hour assembly time. Remember, it's not a race, so take your time, enjoy the process.
- 2 x adults required, enlist the help of your favourite tag team.



# PARTS LIST

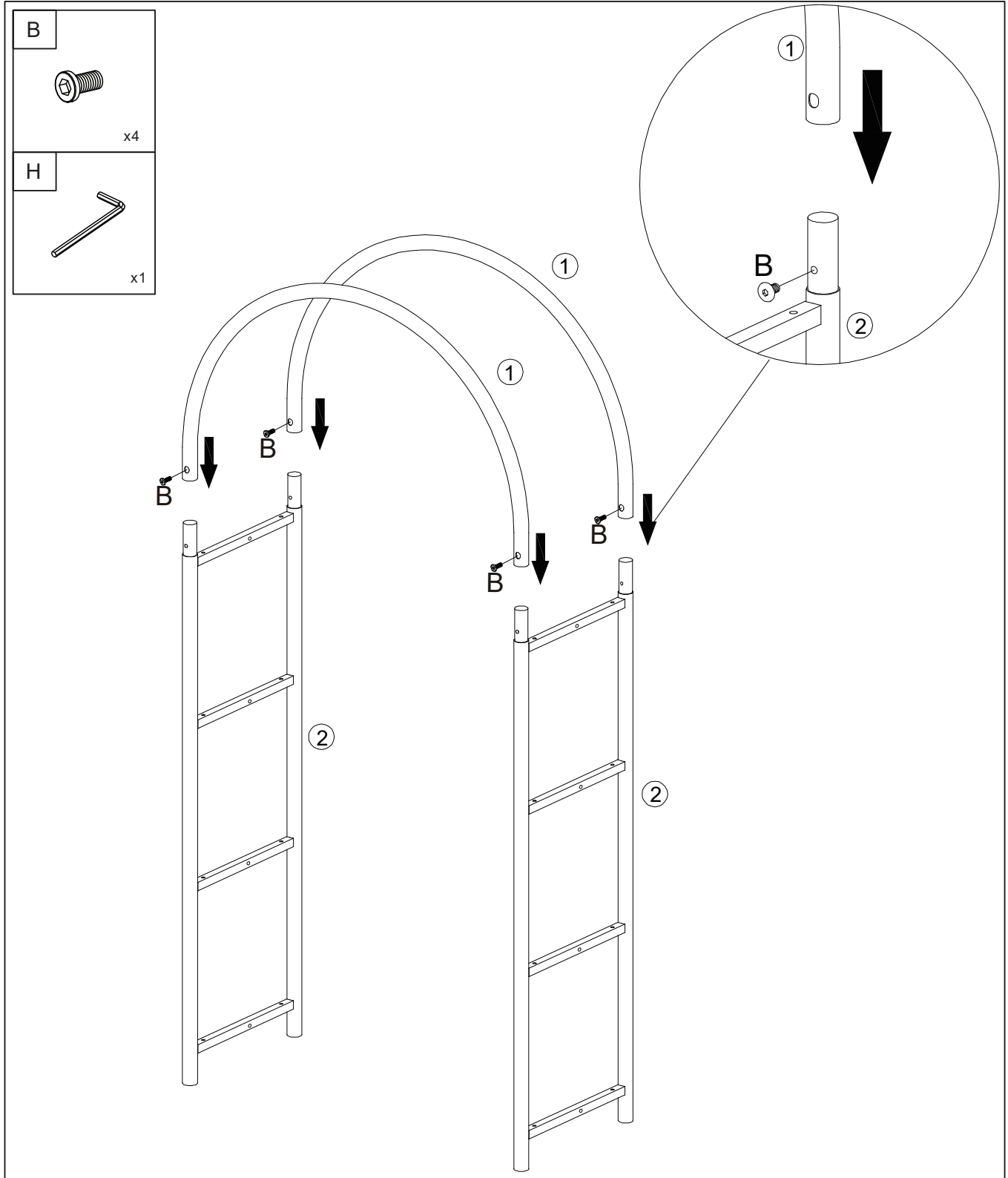
<p>1</p>  <p>x2</p>	<p>2</p>  <p>x2</p>
<p>3</p>  <p>x4</p>	<p>4</p>  <p>x4</p>

# HARDWARE

<div data-bbox="142 385 191 454" style="border: 1px solid black; padding: 2px; text-align: center;">A</div> <div data-bbox="240 569 370 624" style="text-align: center;">  </div> <div data-bbox="136 725 451 762"> <p>M6x28mm      x16</p> </div>	<div data-bbox="483 385 532 454" style="border: 1px solid black; padding: 2px; text-align: center;">B</div> <div data-bbox="581 546 662 601" style="text-align: center;">  </div> <div data-bbox="477 725 792 762"> <p>M6x12 mm      x4</p> </div>	<div data-bbox="824 385 873 454" style="border: 1px solid black; padding: 2px; text-align: center;">C</div> <div data-bbox="906 569 1091 624" style="text-align: center;">  </div> <div data-bbox="818 725 1133 762"> <p>M6x40mm      x8</p> </div>	<div data-bbox="1166 385 1214 454" style="border: 1px solid black; padding: 2px; text-align: center;">D</div> <div data-bbox="1188 578 1416 624" style="text-align: center;">  </div> <div data-bbox="1159 725 1474 762"> <p>M4x35mm      x2</p> </div>
<div data-bbox="142 792 191 860" style="border: 1px solid black; padding: 2px; text-align: center;">E</div> <div data-bbox="224 968 386 1028" style="text-align: center;">  </div> <div data-bbox="136 1138 451 1175"> <p>φ6x30mm      x2</p> </div>	<div data-bbox="483 792 532 860" style="border: 1px solid black; padding: 2px; text-align: center;">F</div> <div data-bbox="565 978 727 1005" style="text-align: center;">  </div> <div data-bbox="477 1138 792 1175"> <p>180mm      x2</p> </div>	<div data-bbox="824 792 873 860" style="border: 1px solid black; padding: 2px; text-align: center;">G</div> <div data-bbox="928 991 1010 1074" style="text-align: center;">  </div> <div data-bbox="1091 1138 1133 1175"> <p>x4</p> </div>	<div data-bbox="1166 792 1214 860" style="border: 1px solid black; padding: 2px; text-align: center;">H</div> <div data-bbox="1188 913 1367 1051" style="text-align: center;">  </div> <div data-bbox="1416 1138 1458 1175"> <p>x1</p> </div>

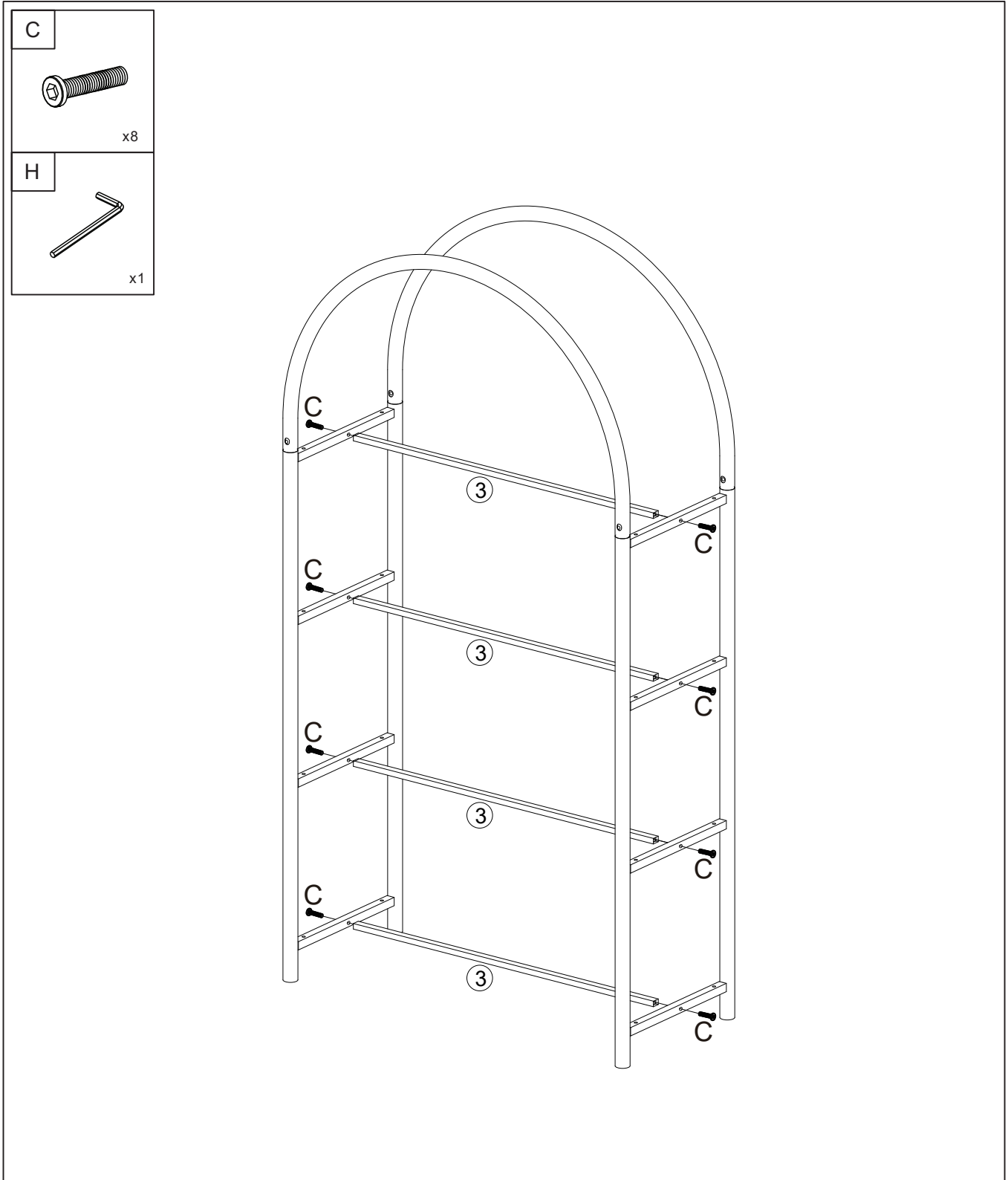
# ASSEMBLY INSTRUCTIONS

## STEP 1



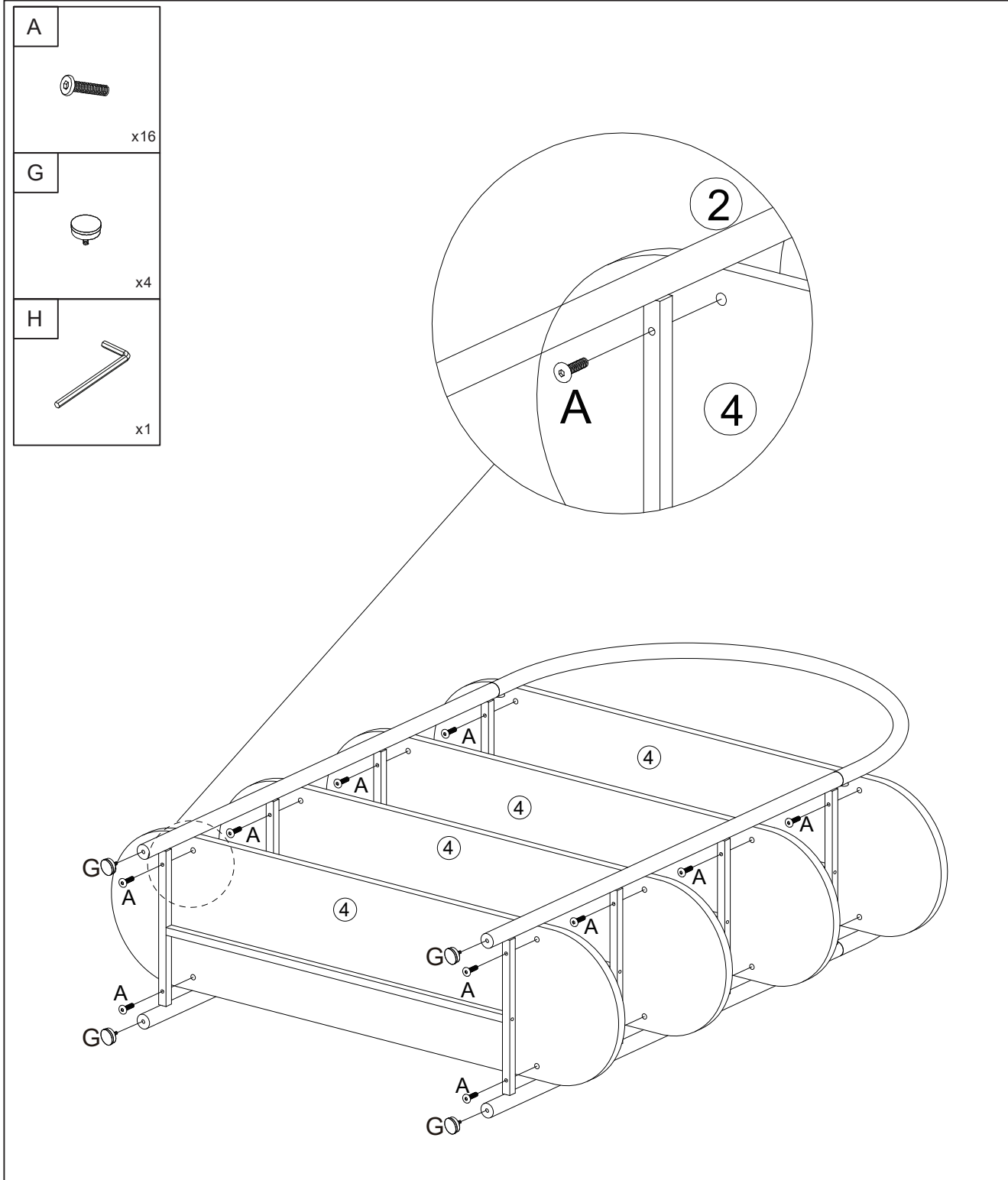
# ASSEMBLY INSTRUCTIONS

## STEP 2



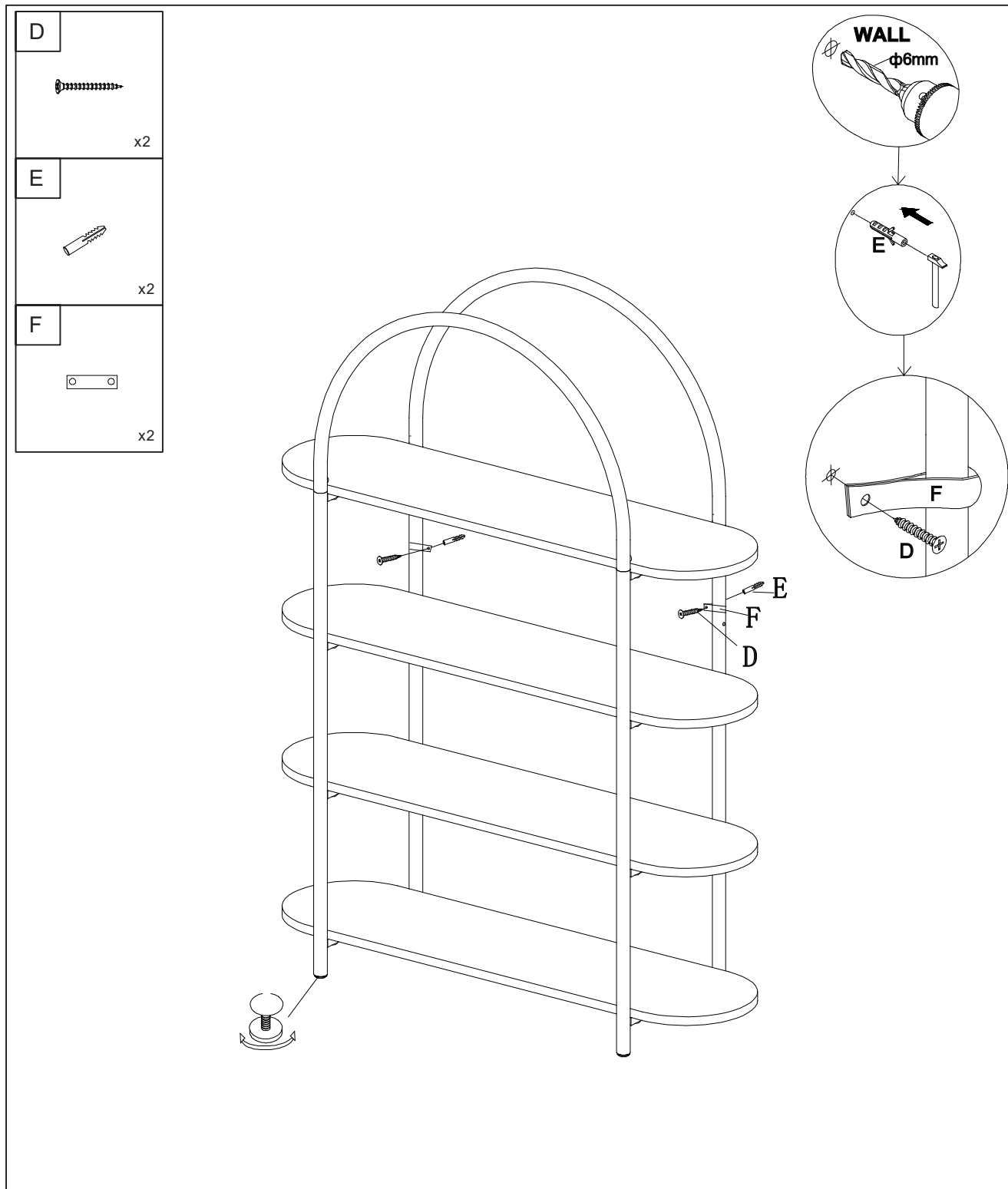
# ASSEMBLY INSTRUCTIONS

## STEP 3



# ASSEMBLY INSTRUCTIONS

## STEP 4



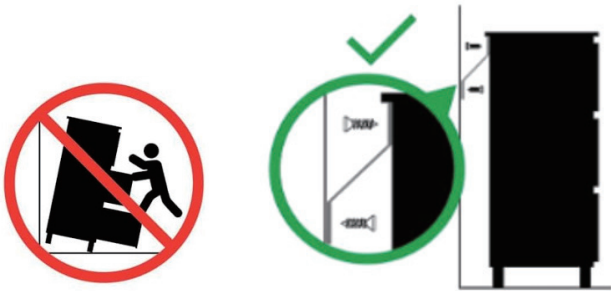
# WARNING

---

## **WARNING**

Children have died from furniture toppling over

- ALWAYS secure this furniture with an anchor device.
- NEVER allow children to stand, climb or hang on drawers, doors or shelves.
- NEVER open more than one drawer at a time.
- NEVER place televisions on this item.
- ALWAYS place heavy items low down

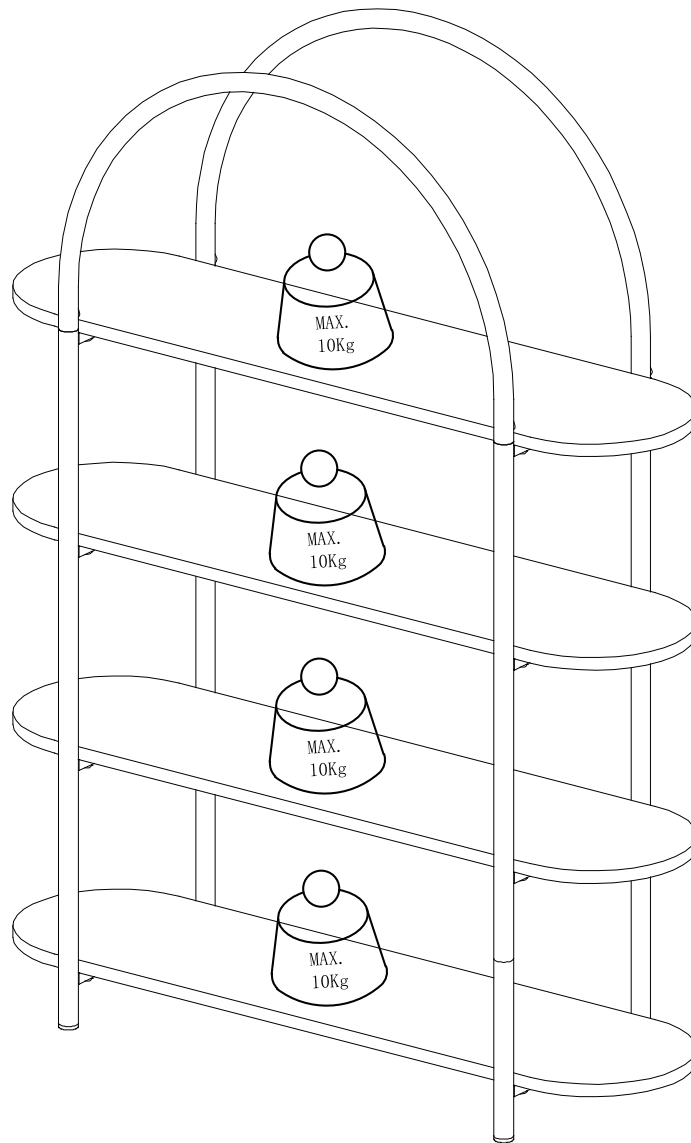


# ASSEMBLY INSTRUCTIONS

## RECOMMENDED WEIGHT

**MAXIMUM RECOMMENDED WEIGHT IS 10KG FOR EACH SHELF.**

Your new product is ready for use.



# CARE & MAINTENANCE OF YOUR PRODUCT

---

Just a few simple steps to keep your furniture looking fabulous and functioning flawlessly:

- Please periodically check all fittings and re-tighten as necessary.
- To clean your item, please use a damp cloth and wipe clean.
- To clean glass, please use glass cleaner.
- Never allow any kind of liquid to remain on your furniture.  
Absorption can cause wood to warp or finishes to de-laminate.
- Please do not place hot items (eg. hot drinks) directly on to the surface.
- Please do not drag and pull your furniture.

## WARRANTY

Cooper & Co products are warranted to be free from defects in materials and workmanship for the warranty period of 12 months from the date of retail sale. Our goods come with guarantees that cannot be excluded under the Australian Consumer Law. You are entitled to a replacement or refund for a major failure and for compensation for any other reasonably foreseeable loss or damage. You are also entitled to have the goods repaired or replaced if the goods fail to be of acceptable quality and the failure does not amount to a major failure.

*Cooper & Co.*<sup>®</sup>

Cooper & Co products are waiting for you at:

**[www.cooperandco.com.au](http://www.cooperandco.com.au)**

Find us on Instagram at:

**[cooperandco\\_australia](https://www.instagram.com/cooperandco_australia)**