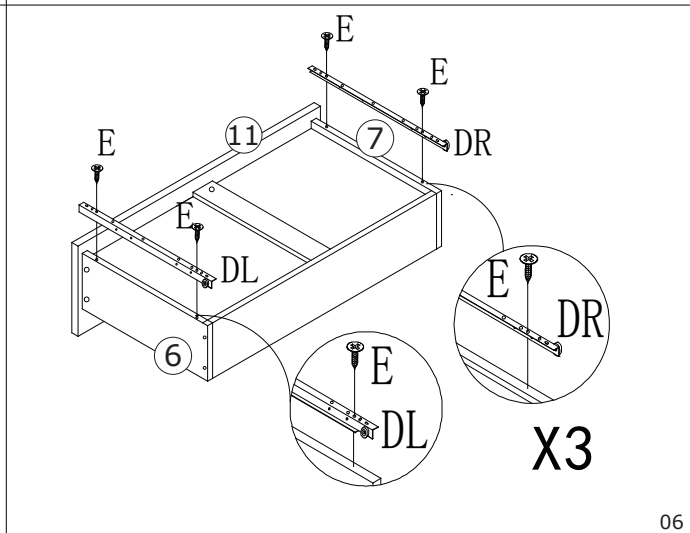
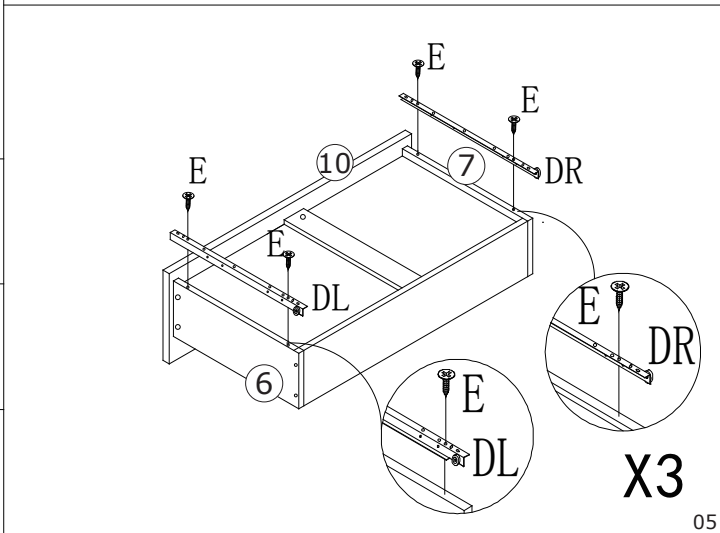
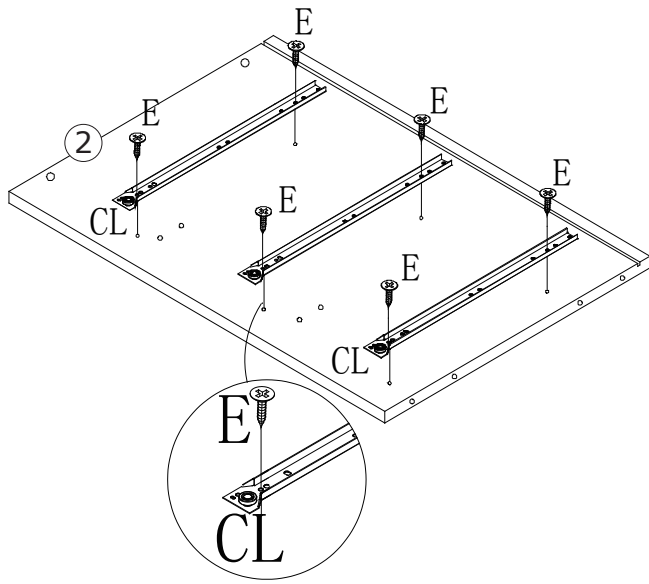
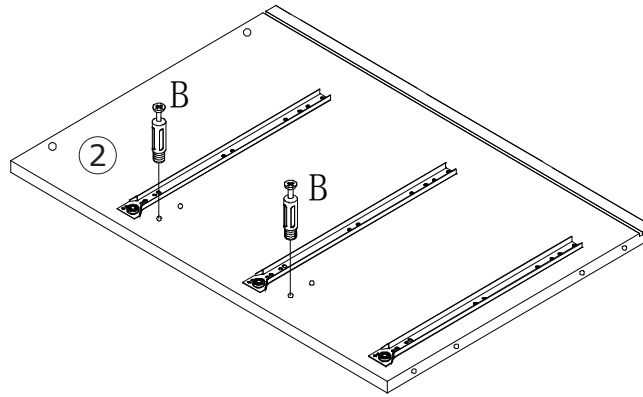


A x 44	B x 44	C x 16	D x 30	E x 72	F x 18	G x 4
H x 12	I x 8	J x 12	K x 4	L x 2	M x 2	N x 6
O x 6	P x 1	Q x 2	CL x 6	CR x 6	DL x 6	DR x 6

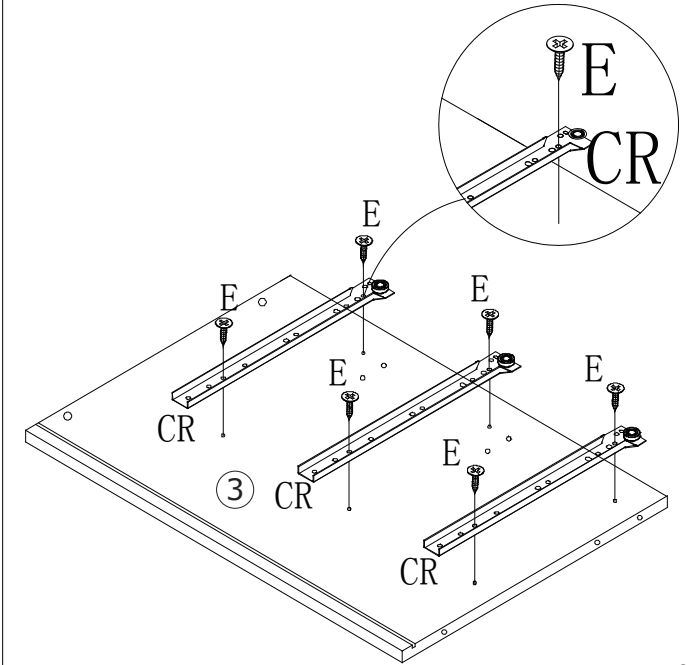




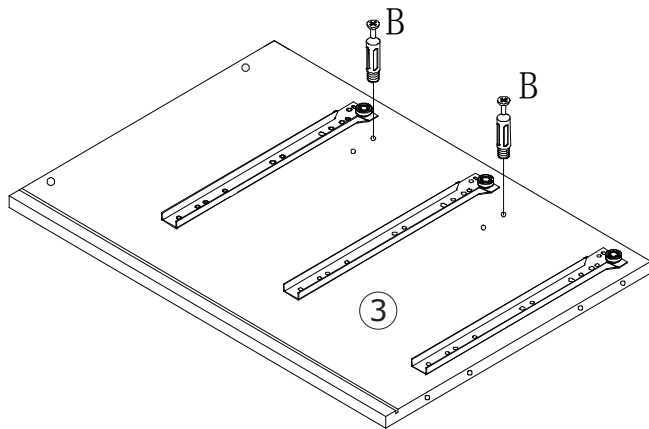
07



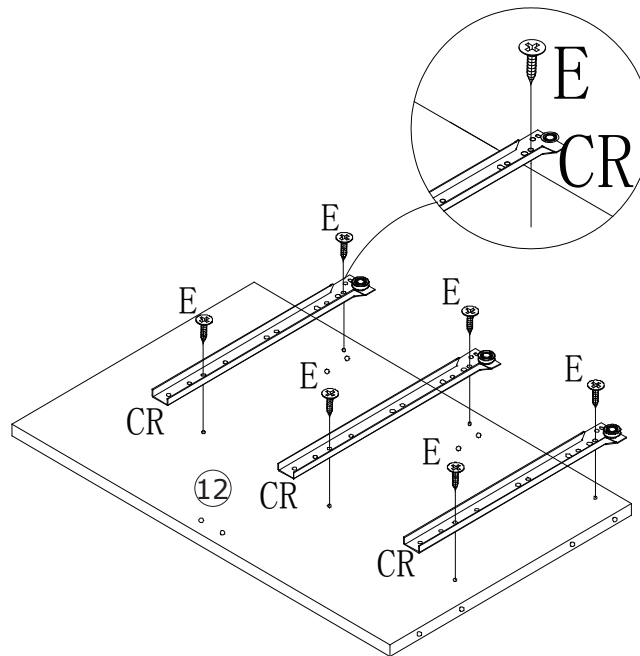
08



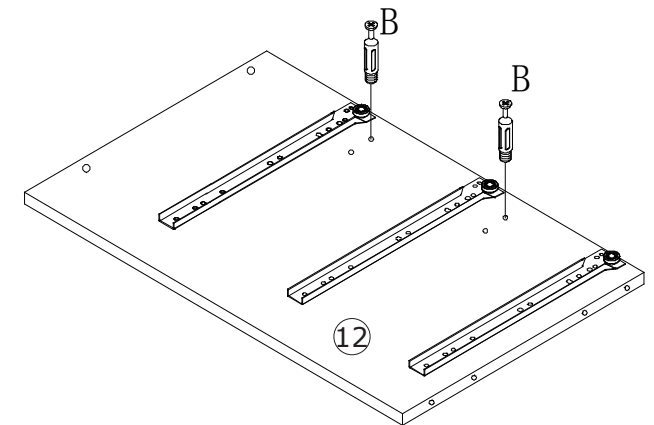
09



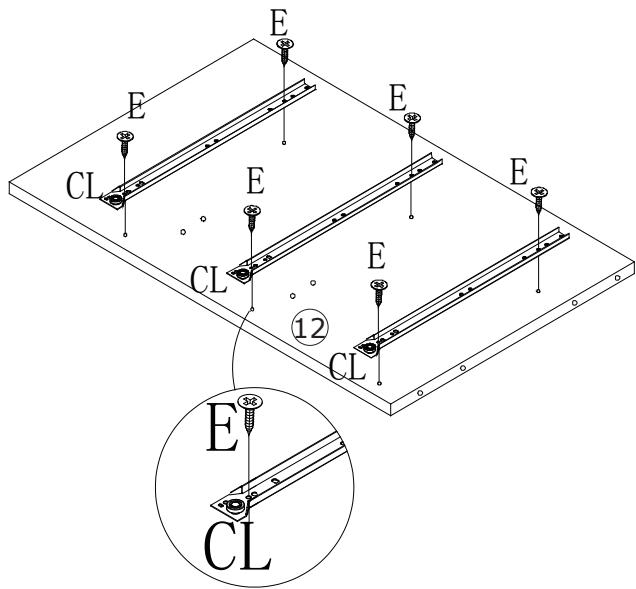
10



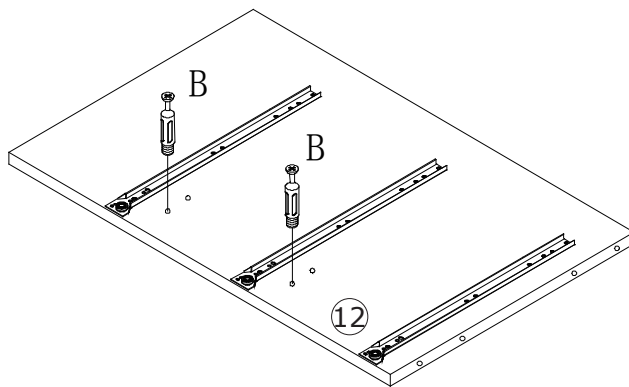
11



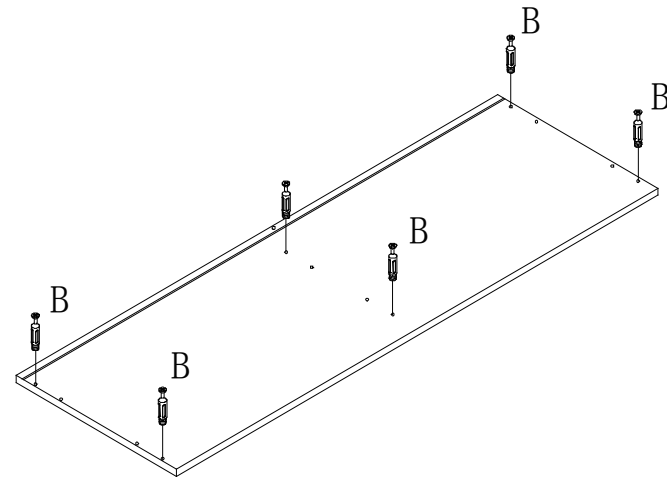
12



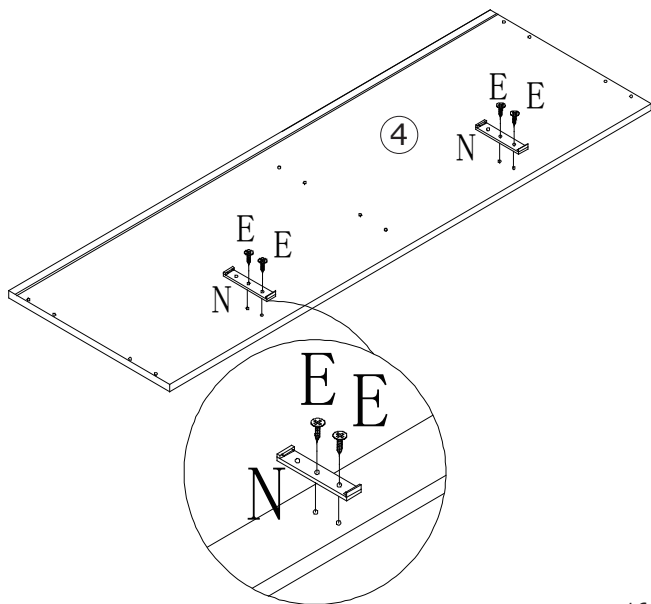
13



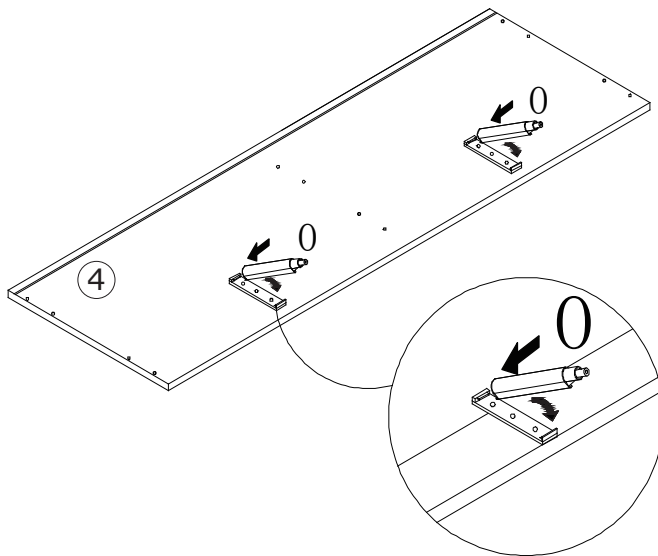
14



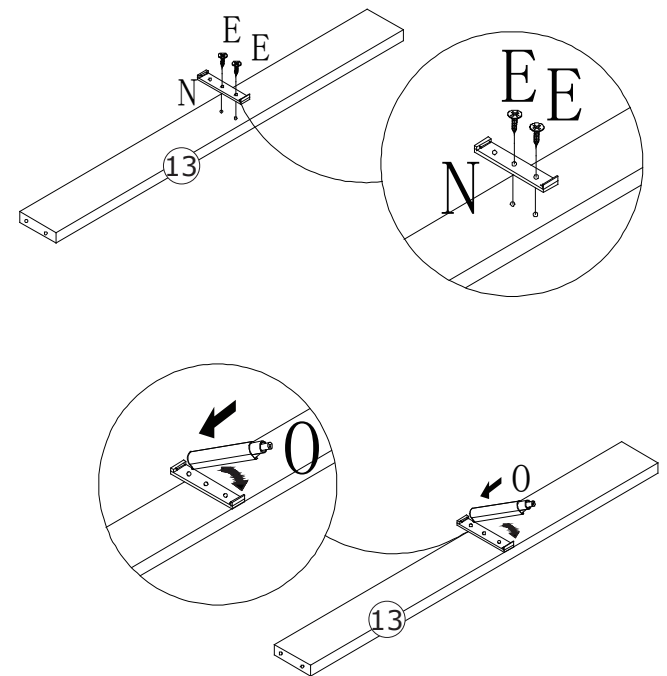
15



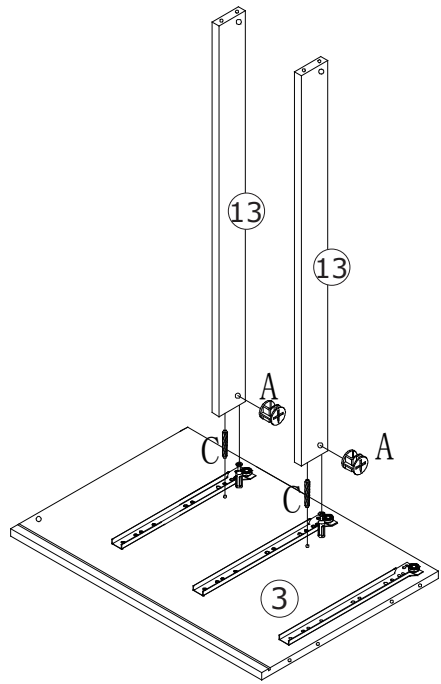
16



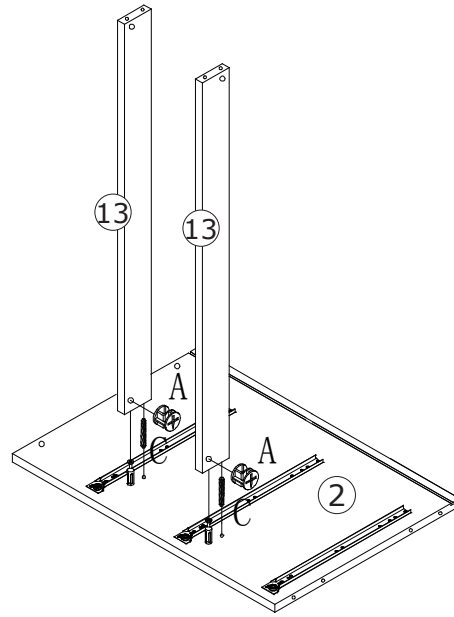
17



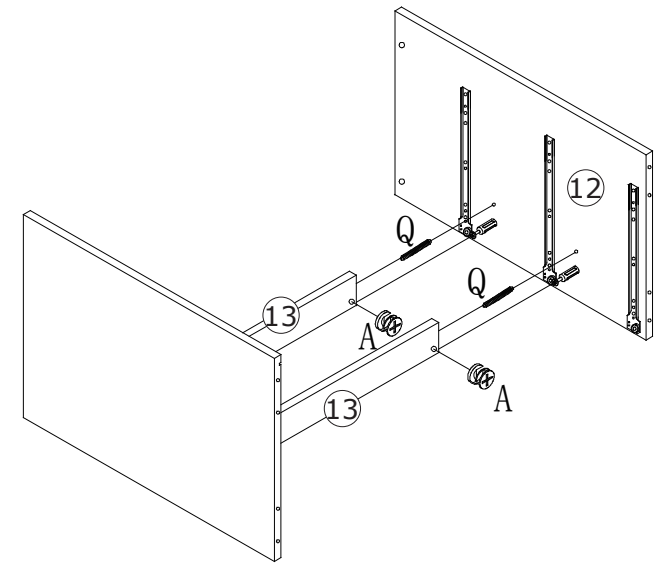
18



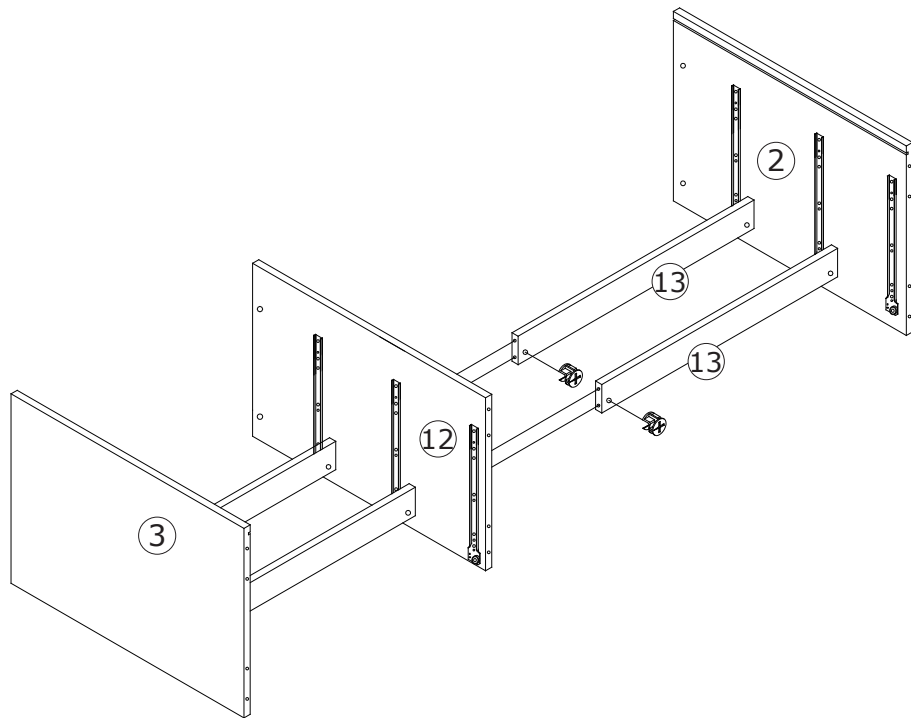
19



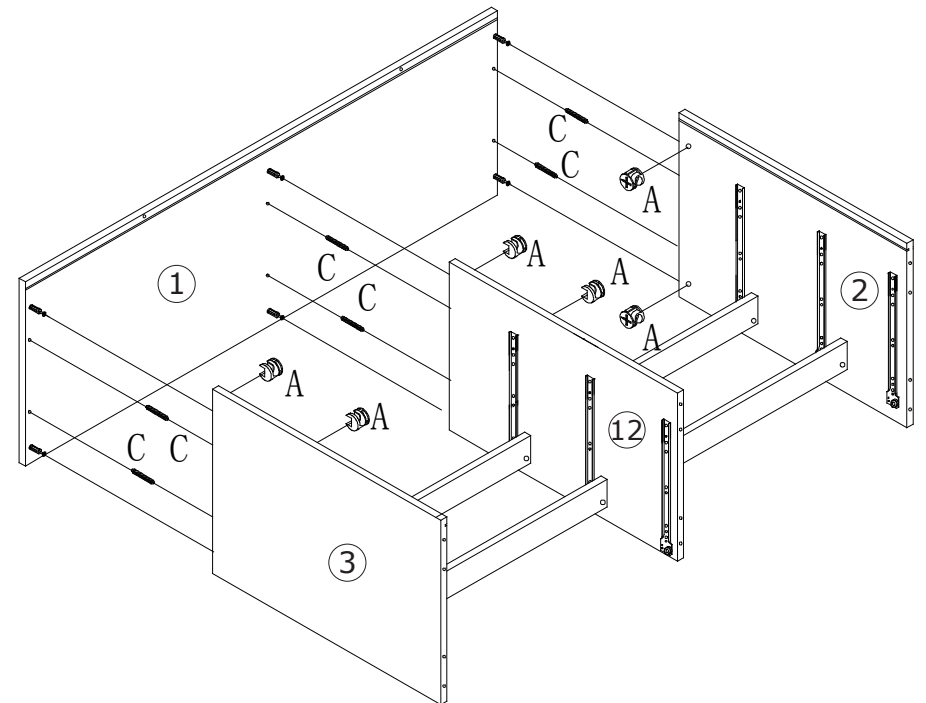
20



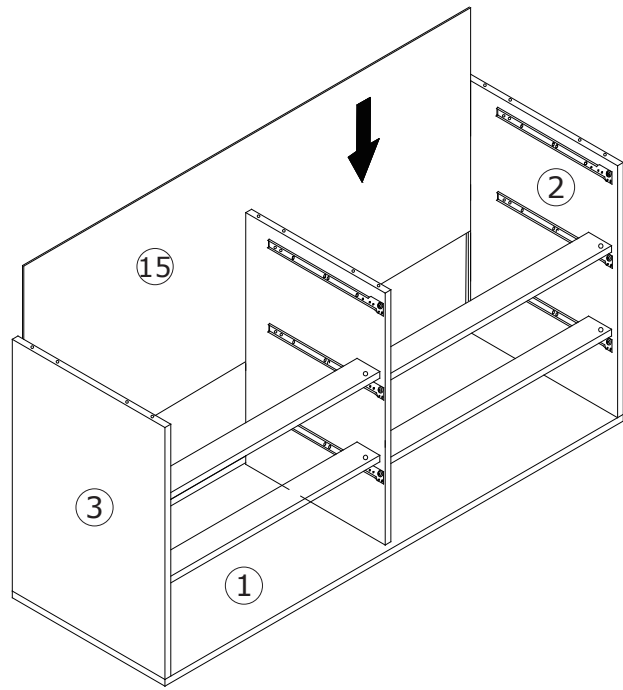
21



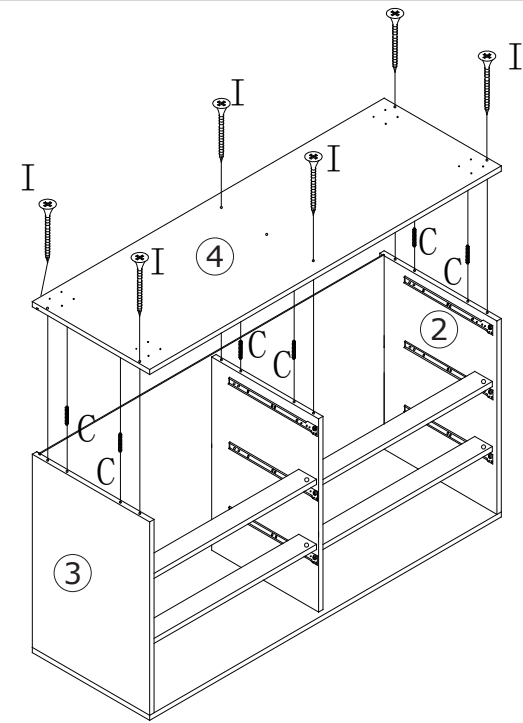
22



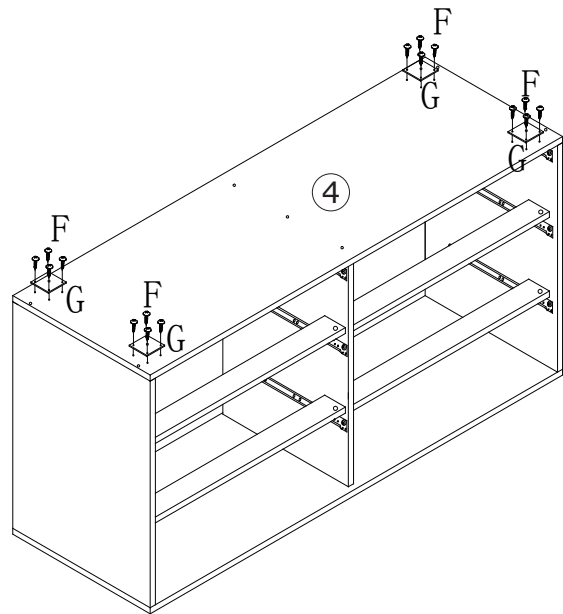
23



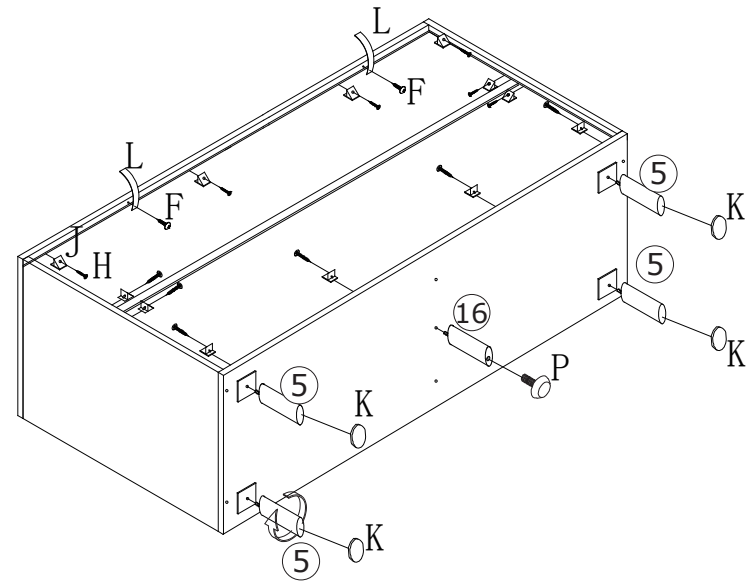
24



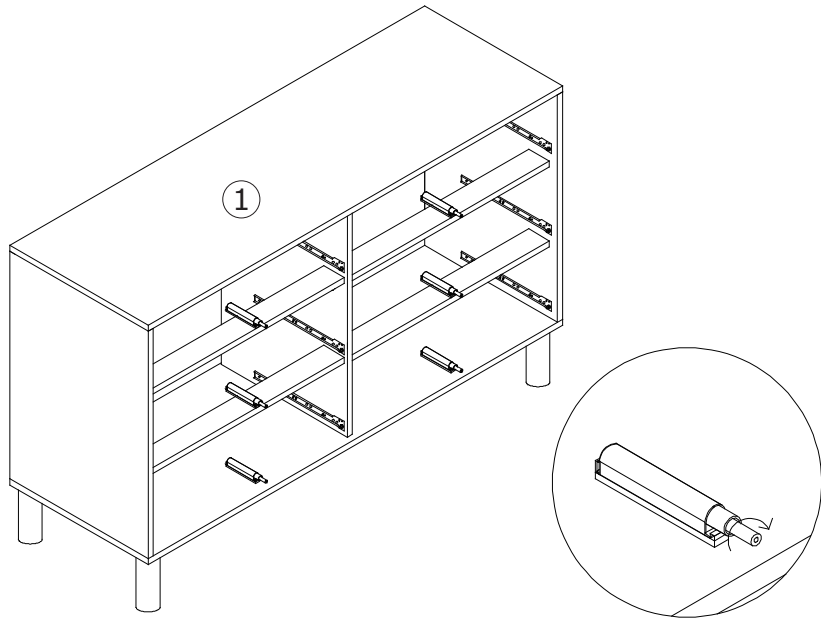
25



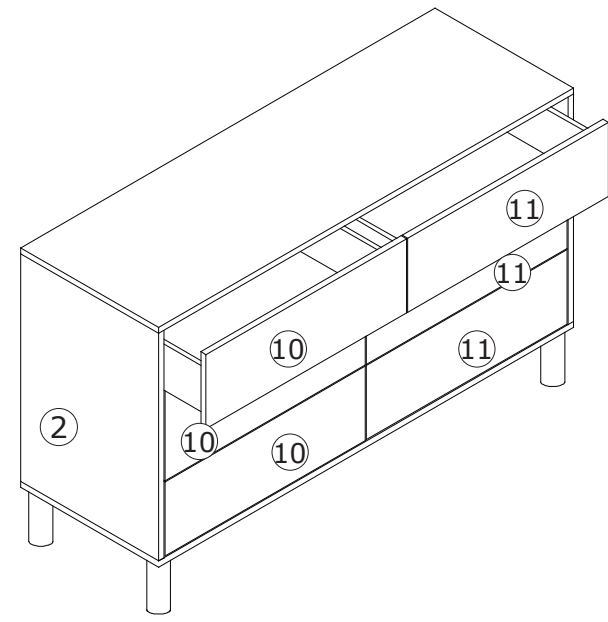
26



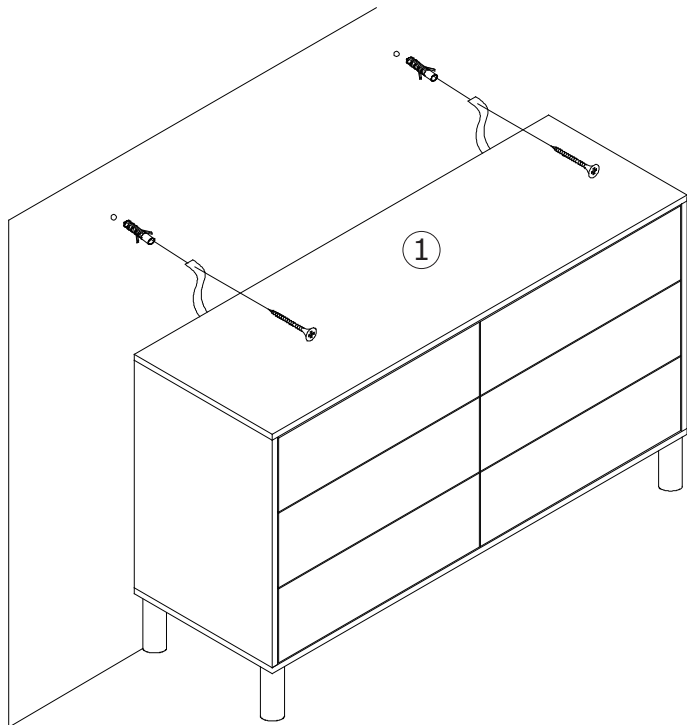
27



28



29



30