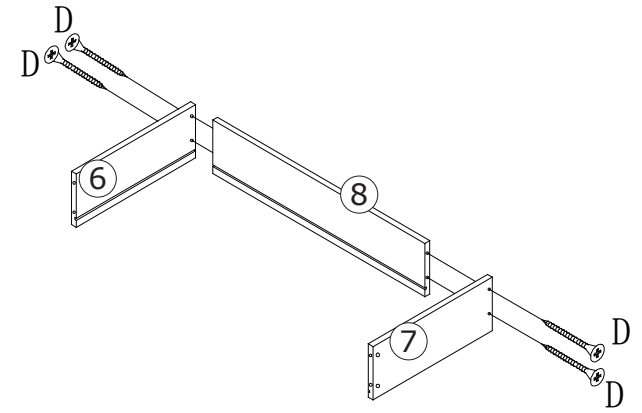
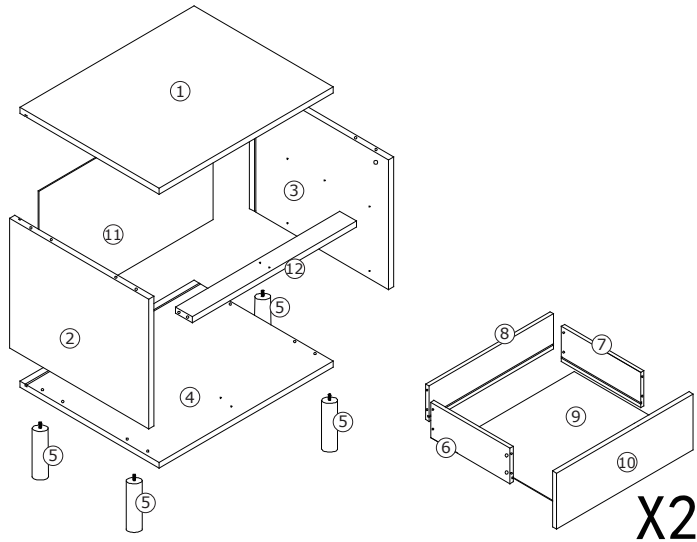


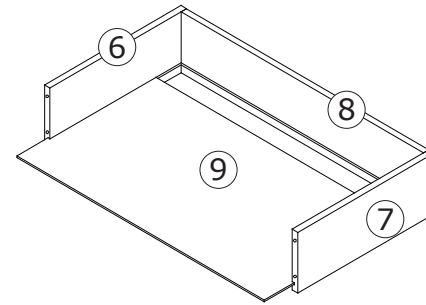
01



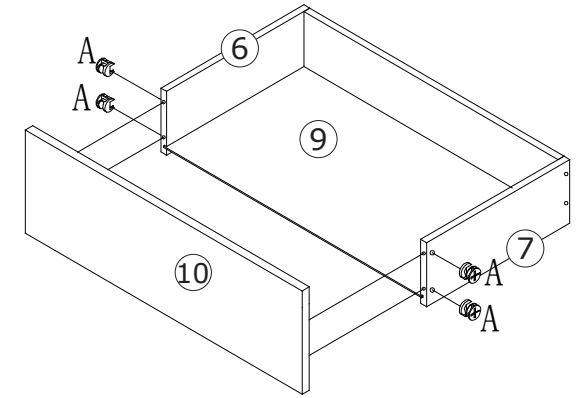
02



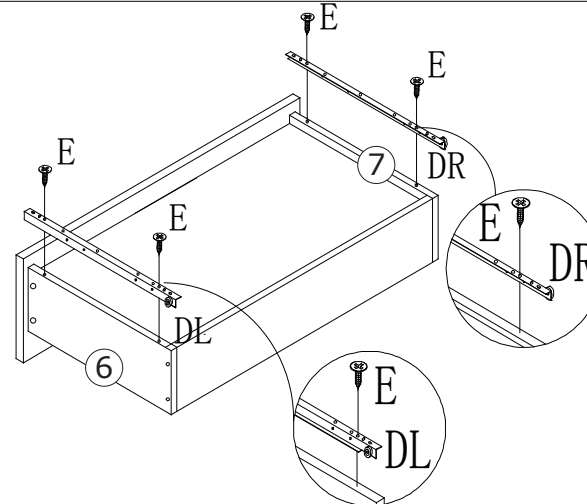
03



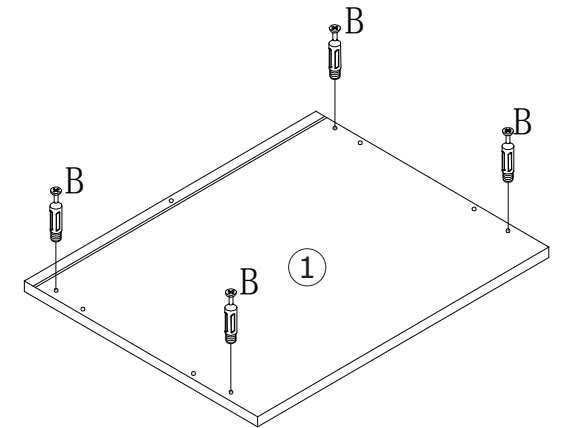
04



X2

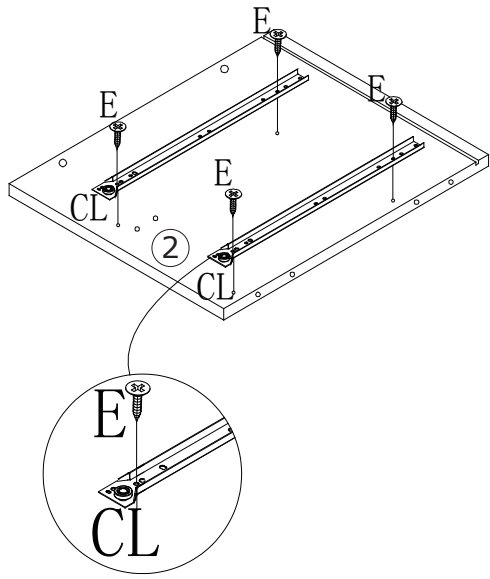


05

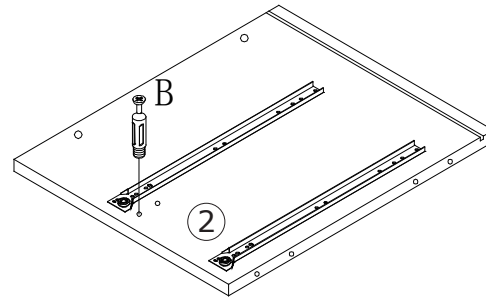


06

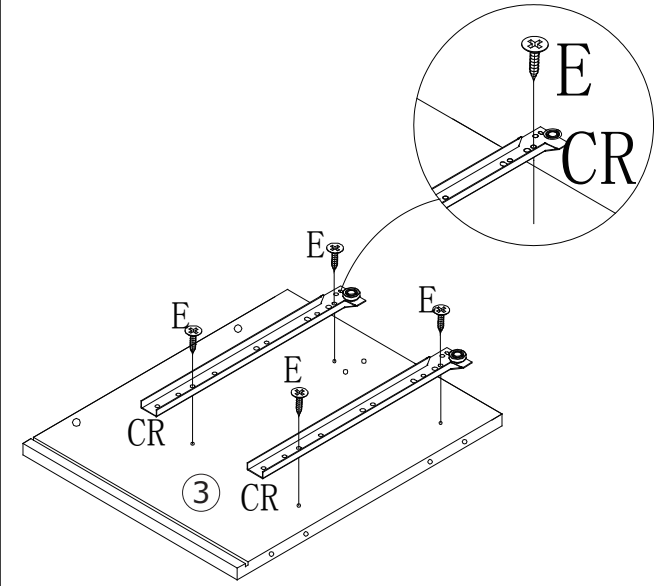
A x 14	B x 14	C x 10	D x 8	E x 20	F x 17	G x 4
H x 4	I x 5	J x 4	K x 4	L x 1	M x 1	N x 2
O x 2	CL x 2	CR x 2	DL x 2	DR x 2		



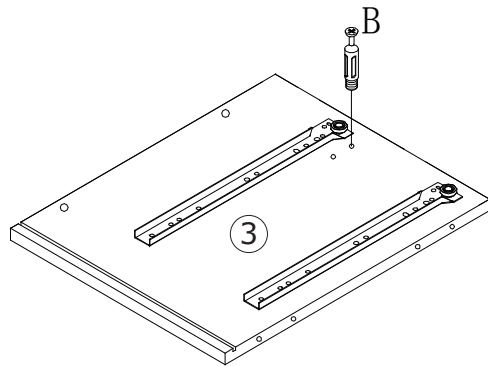
07



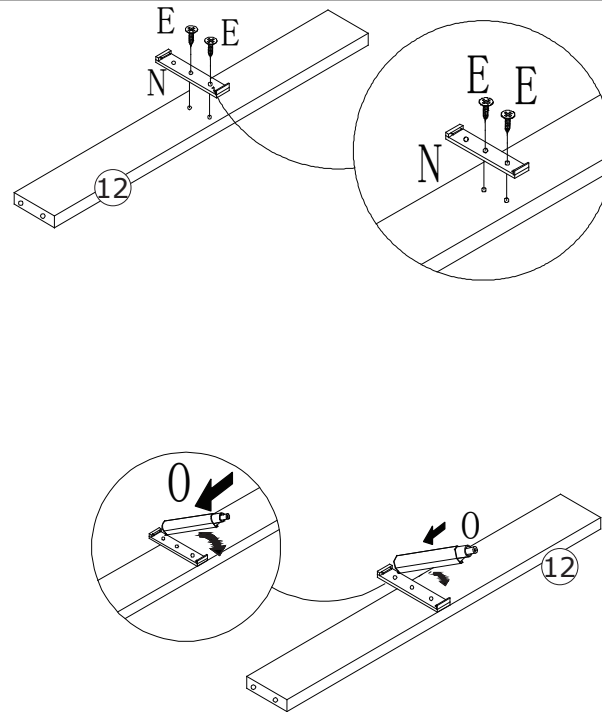
08



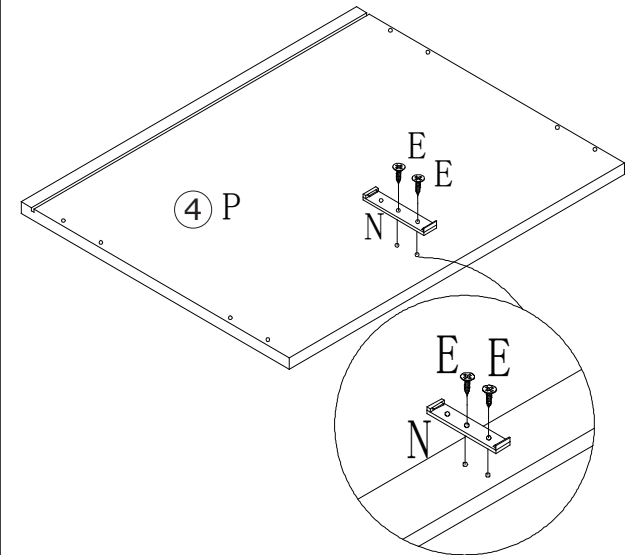
09



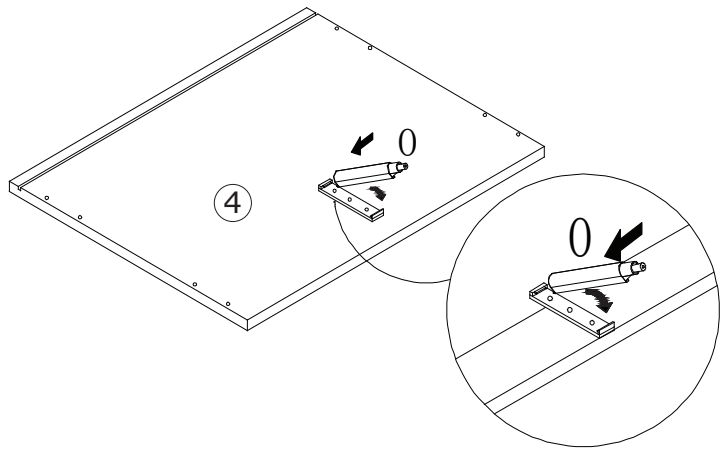
10



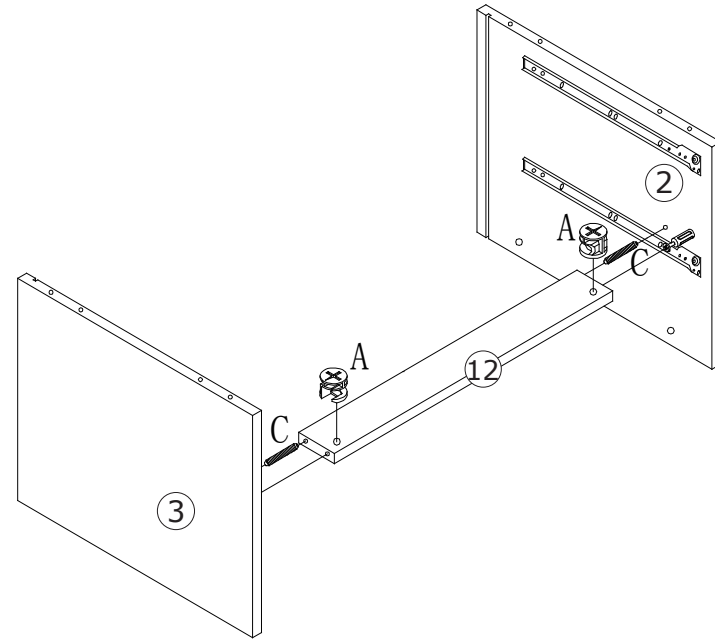
11



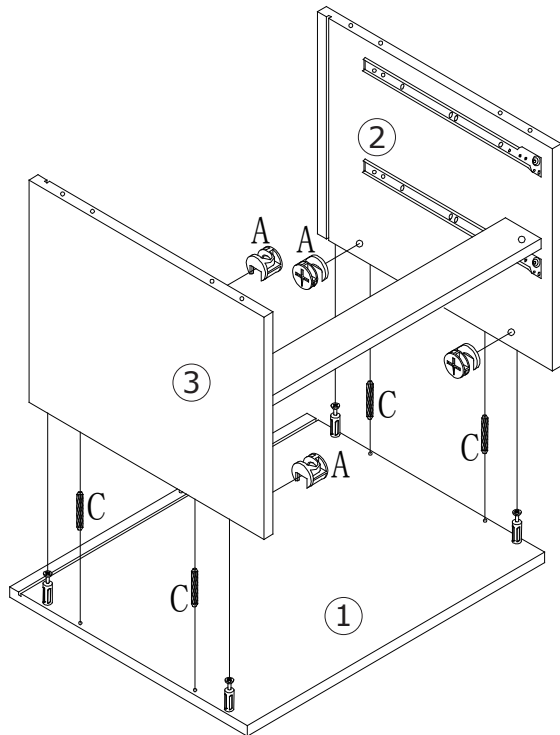
12



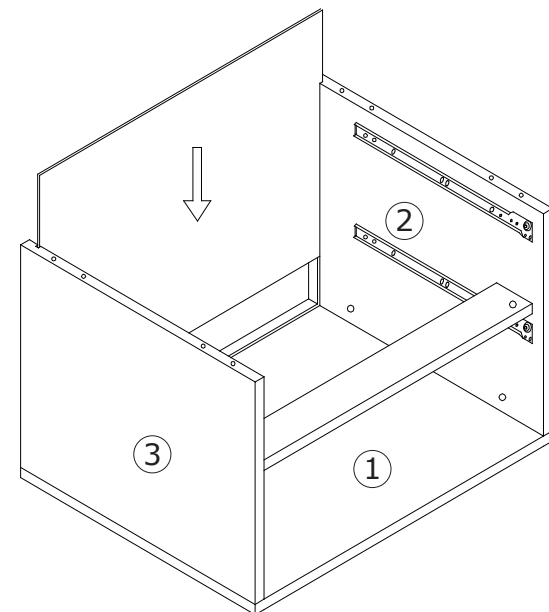
13



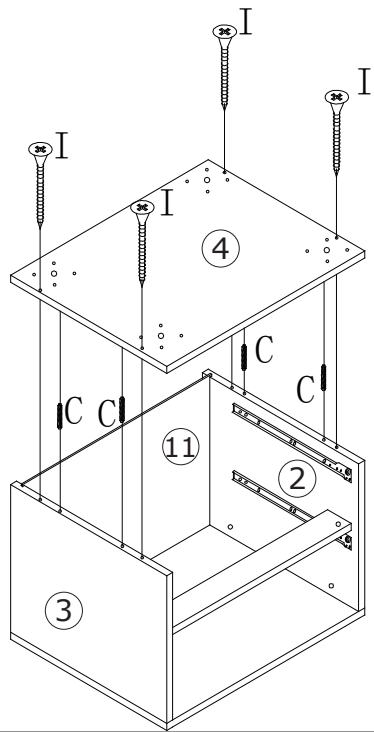
14



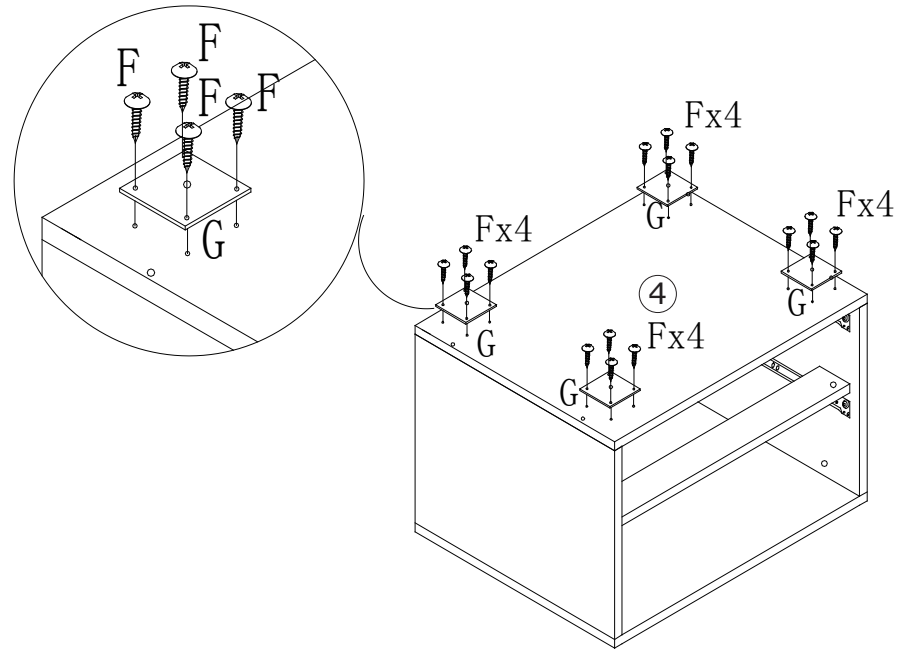
15



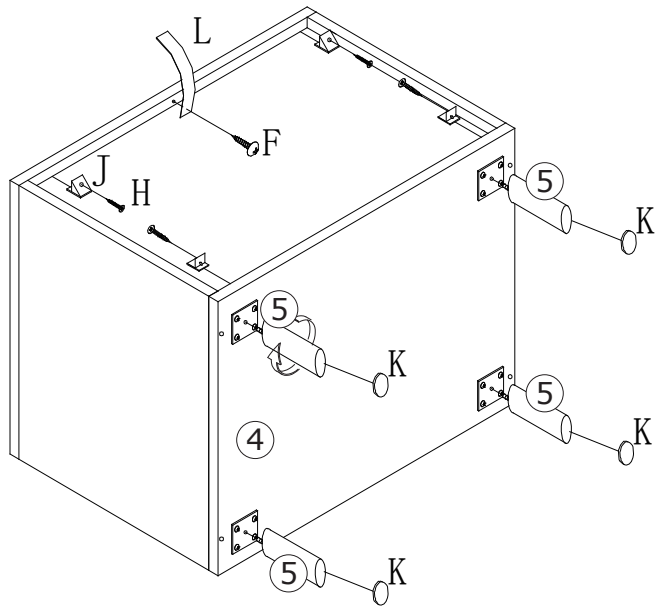
16



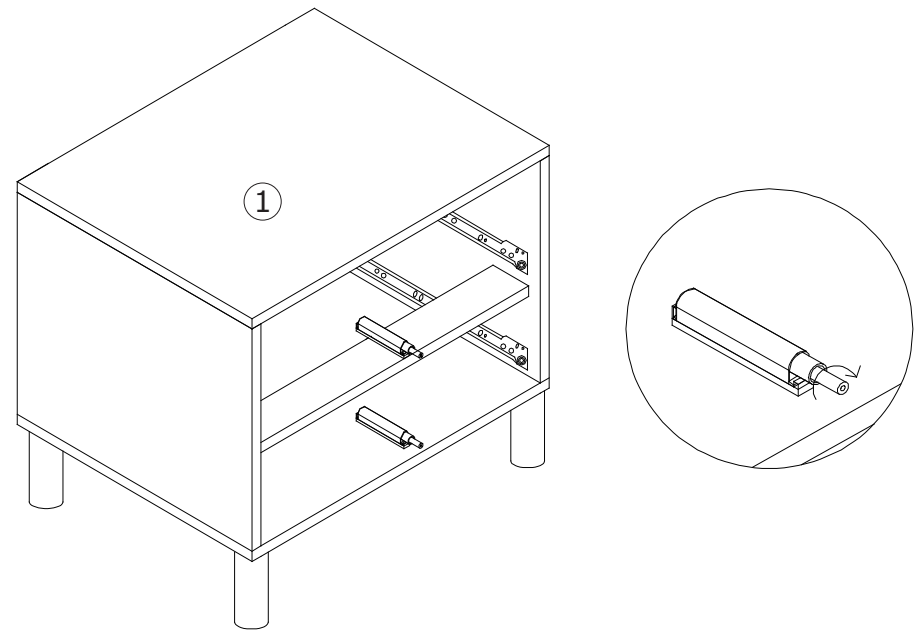
17



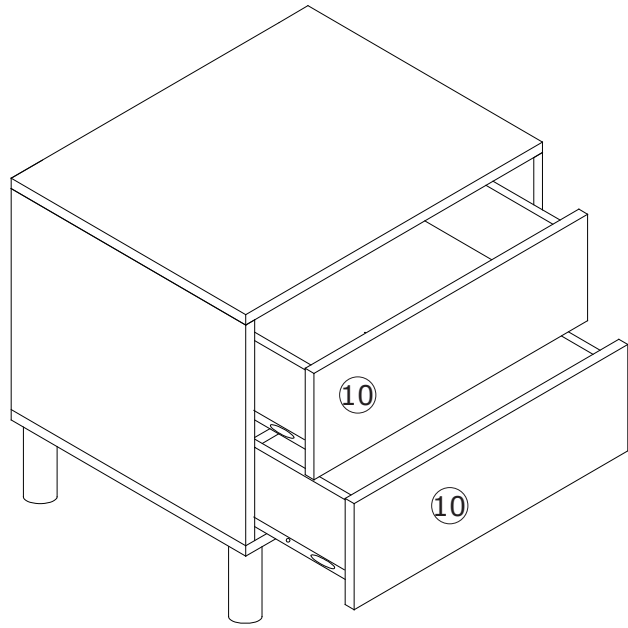
18



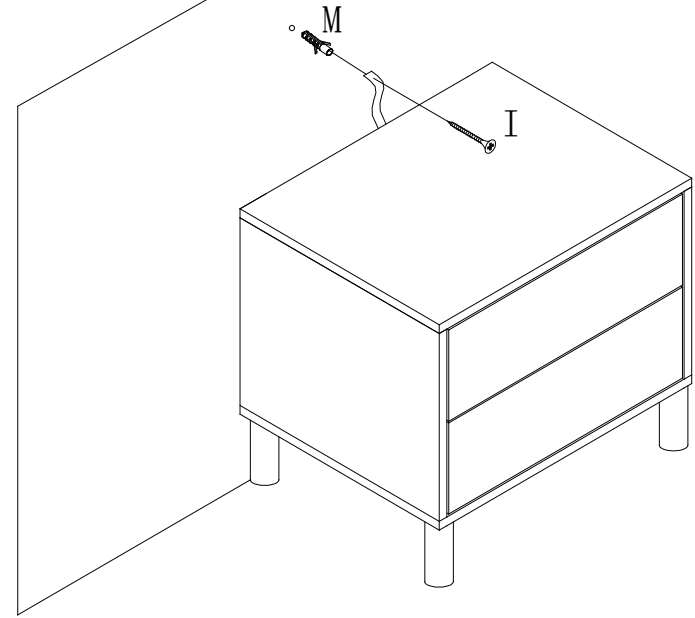
19



20



21



22