

PACK INCLUSIONS:



Mirror
1 pc



Screws 2 pcs
Rawl plug 2 pcs



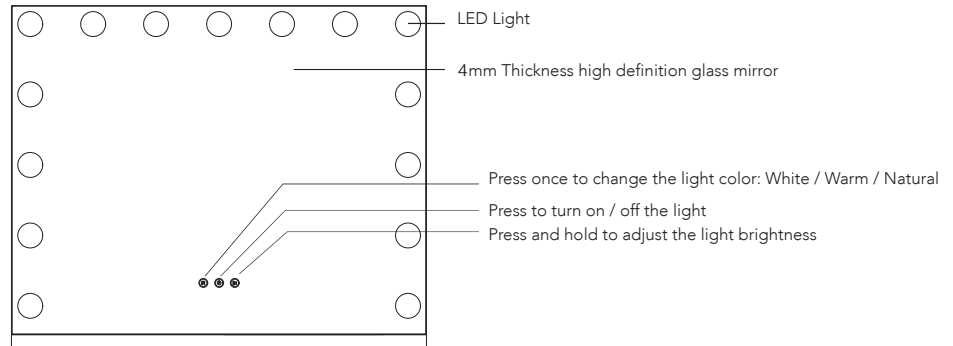
Instruction
Manual



Screws 3 pcs

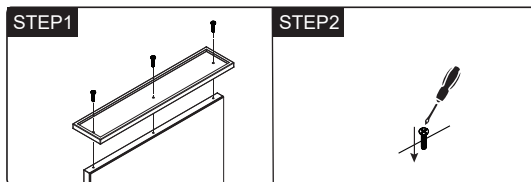


adapter x 1pc



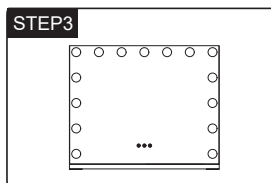
INSTRUCTIONS FOR INSTALLATION:

Desktop



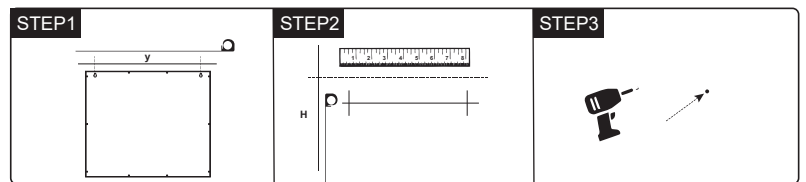
Align the holes on the base and the bottom of the mirror.

Tighten the screws.



Completed.

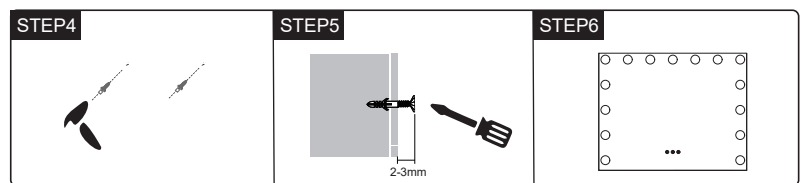
Wall-mounted



Align the holes on the base and the bottom of the mirror.

Use pencil to draw parallel lines on the wall, The intersection is the punch position.

Use electric drill to punch holes at the intersection.



Use hammer to drive the expansion tube into the hole.

Use screwdriver to screw the screw into the expansion tube.

Hang up the mirror, installation is completed.

SPECIFICATIONS

Front Illuminated arch mirror

Material - Aluminium+Glass

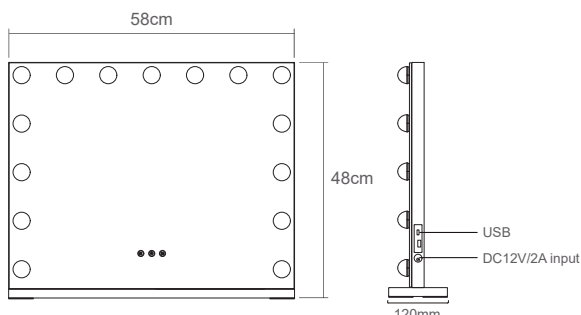
LED Color Temperature - 3500-6500K

Power Supply - AC 220-240V

Net Weight - KG

Product Size - 58X48cm

Made in China.



WARNING:

Please read the instruction carefully before using.

Do not disassemble or refit the products.

Handle with care during installation or moving

Keep the mirror dry; moisture reduces the sensitivity of the product.
Turn off the power before cleaning.

The surface of the mirror should be cleaned with glass cleaner;
make sure the mirror is completely dry before using.

Keep out of reach of children.

Turn off the power and avoid direct sunlight if not used or stored for long periods of time.

Make sure that your charging device is adequate for the mirror voltage rating before using.

Do not approach or put the product into the fire in case of fire or explosion.
Stop using it immediately if abnormal condition occurs.