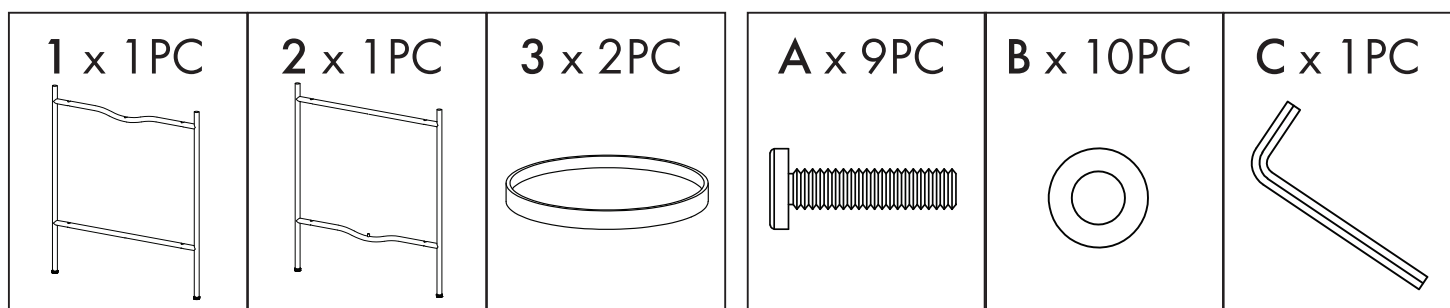


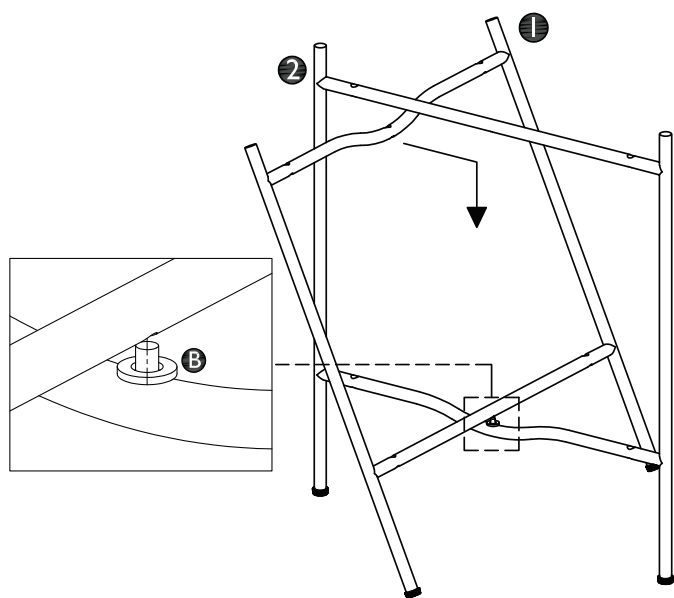
INCLUDED PARTS



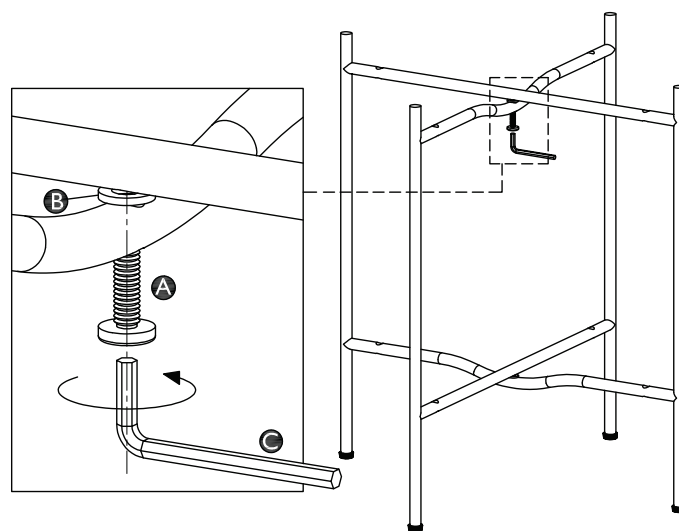
INSTRUCTIONS

Please read the instructions carefully. Remove all wrapping material, staples and packing straps from the carton. See Included Parts list for guidance. Be sure you have all the parts before you start assembling. Place all furniture on a clean and flat soft surface, such as a carpet or rug to prevent it from being scratched. Do not overtighten screws and fittings. Re-tighten all screws and fittings periodically.

STEP 1: Place a Washer (B) onto the adjoining pin and place Leg 1 through Leg 2 onto the pin.

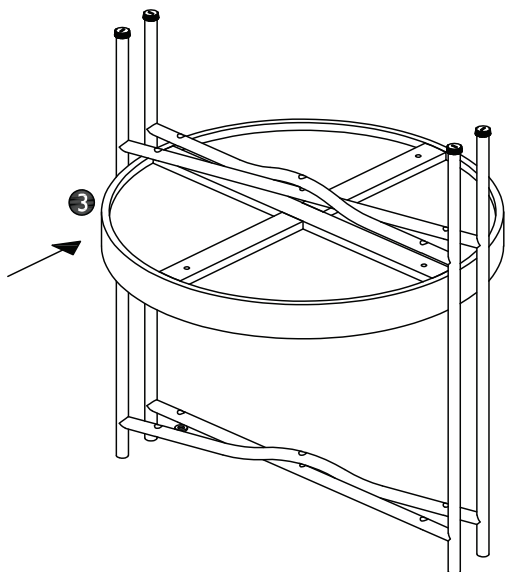


STEP 2: Use the Allen Key (C) to secure a Screw (A) through the bar intersection with a Washer (B) placed between the bars.

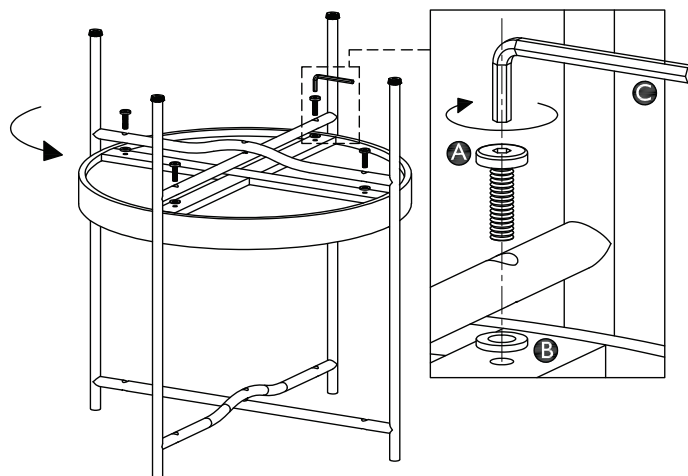


JAX SIDE TABLE Assembly Instructions

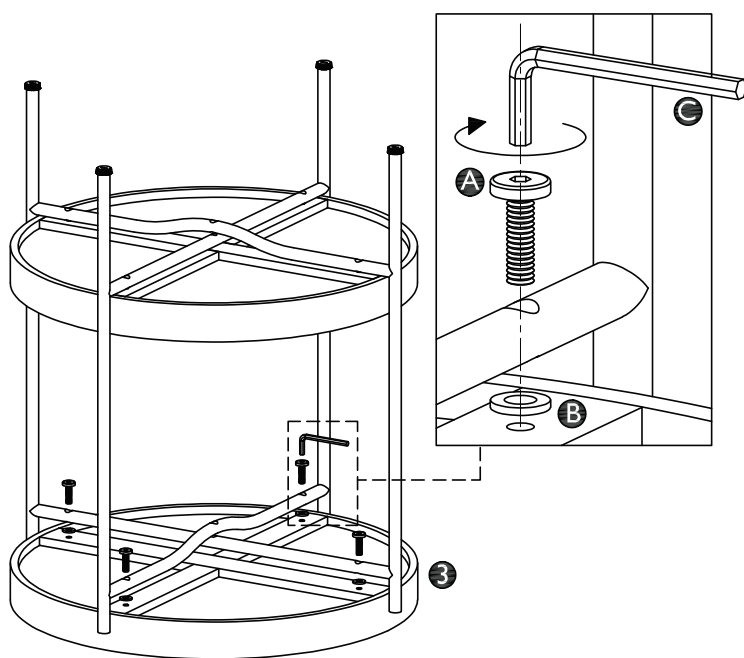
STEP 3: Turn upside down and twist together so that you can insert the Tray (3).



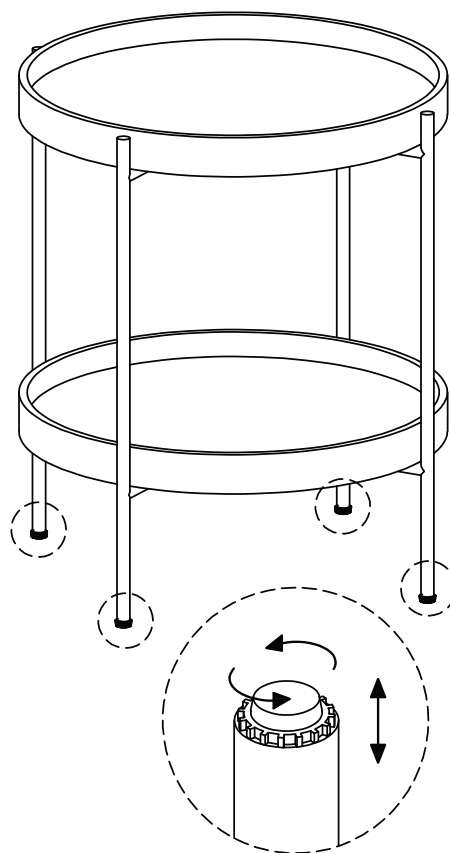
STEP 4: Twist the legs back to a right angle. Use the Allen Key (C) to secure a Screw (A) through the bar intersection with a Washer (B) placed between the bars. Repeat 4 times.



STEP 5: Place the second Tray (3) under the Legs and use the Allen Key (C) to secure a Screw (A) through the bar intersection with a Washer (B) placed between the bars. Repeat 4 times.



STEP 6: Turn the table up right and adjust the leg ends until level. Finished.



CARE AND MAINTENANCE

Wood furniture

Wood displays different grain patterns depending on which way they are cut - for example, the 'medullary ray' which can appear on oak furniture is a mark of good quality timber - these are just characteristics of the natural beauty of the wood. Some furniture is also deliberately aged and rustic.

Wood veneers also allow a distinctive pattern to be created on some surfaces, such as tabletops and drawer fronts by the way slivers are arranged.

All timber and veneer surfaces will change colour and mellow over time. New furniture will initially vary in shade from items that have been previously purchased.

How to care for your wood furniture

Furniture with a hard lacquer, wax polish or painted surface should be dusted with a dry cloth.

Waxed furniture will need to be given a coat of beeswax a couple of times a year to help maintain its lustre.

Spray polishes are best avoided as they contain silicones which may spoil the furniture's surface when building up over time.

Make sure all surfaces are protected from heat and liquids by mats and coasters. Wipe up spills immediately and ensure that a mat or pad is placed under paper if you are writing.

Our furniture will endure most temperatures in the home, but it is best to avoid placing furniture next to heat sources such as radiators or fires. Be particularly careful with solid wood as the lack of humidity caused by home heating can cause damage such as warping.

Safety instructions

Never drag furniture when moving it, always lift it.

Please take care when handling or moving the furniture as careless handling may cause damage or injury.

Furniture can be dangerous if incorrectly installed. Assembly should be carried out by a competent person. No liability will be accepted for damage or injury caused by incorrectly installed or assembled furniture.