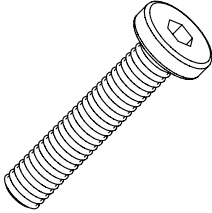
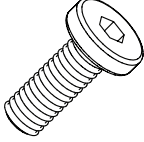
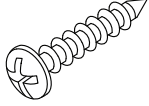
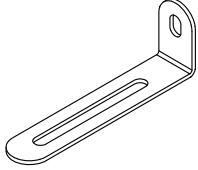
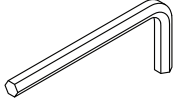
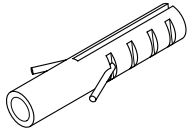
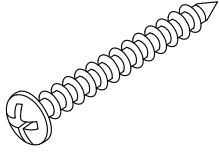
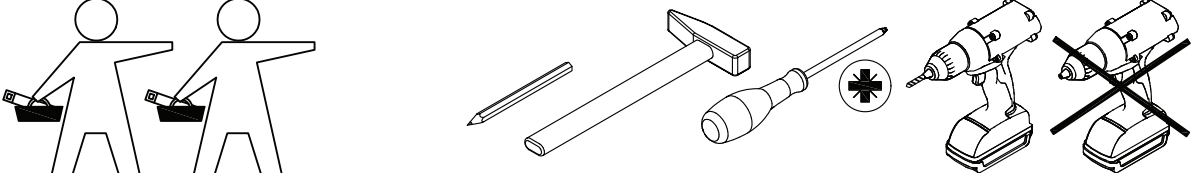
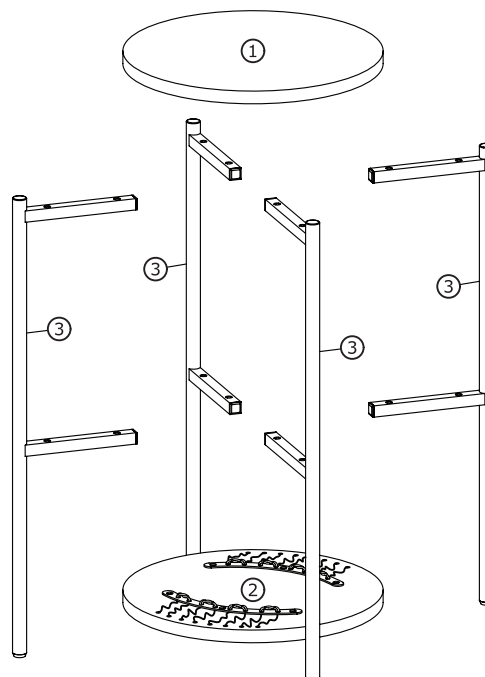


INCLUDED PARTS

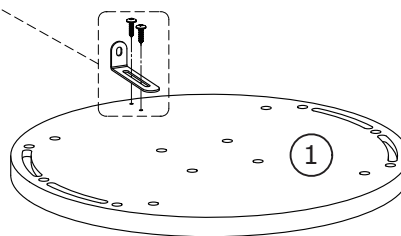
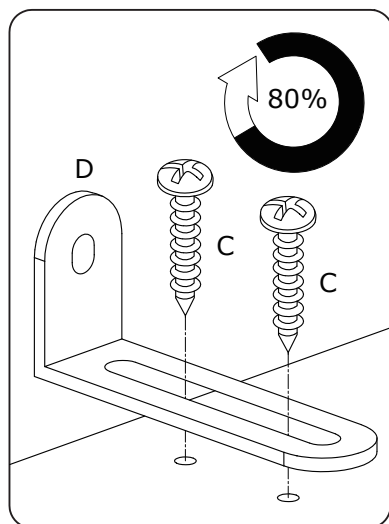
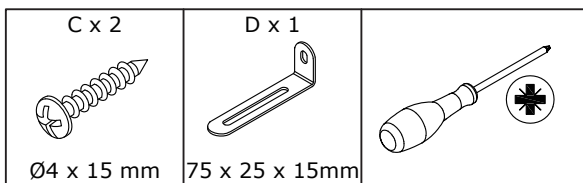
<p>A x 16PC</p>  <p>M6 x 28 mm</p>	<p>B x 6PC</p>  <p>M6 x 15 mm</p>	<p>C x 2PC</p>  <p>Ø4 x 15 mm</p>	<p>D x 1PC</p>  <p>75 x 25 x 15 mm</p>
<p>E x 1PC</p>  <p>4 mm</p>	<p>F x 1PC</p>  <p>Ø8 x 30 mm</p>	<p>G x 1PC</p>  <p>Ø4 x 35 mm</p>	
<p>REQUIRED TOOLS</p> 			

INSTRUCTIONS

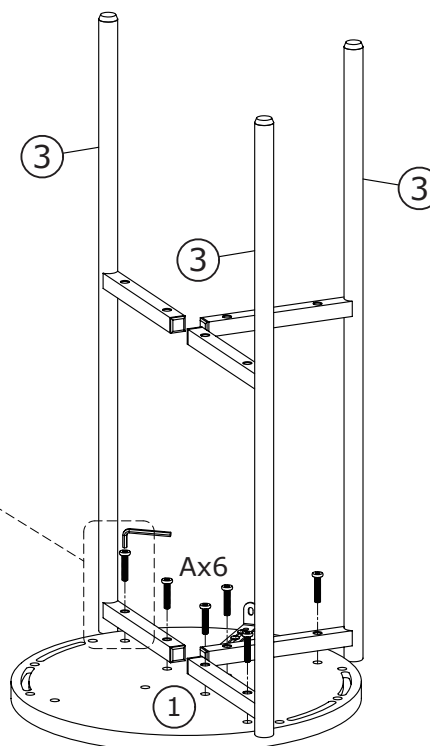
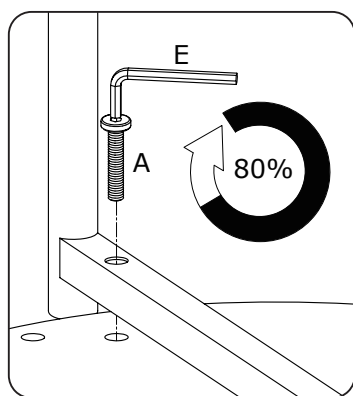
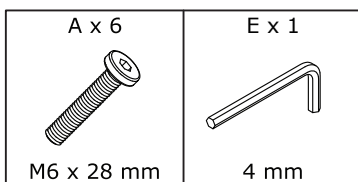
Please read the instructions carefully. Remove all wrapping material, staples and packing straps from the carton. See included parts list for guidance. Be sure you have all the parts before you start assembling. Place all wooden furniture on a clean and flat soft surface, such as a carpet or rug to prevent it from being scratched.



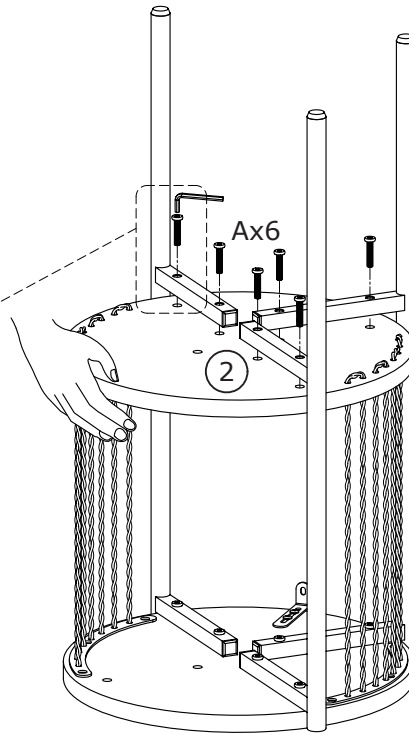
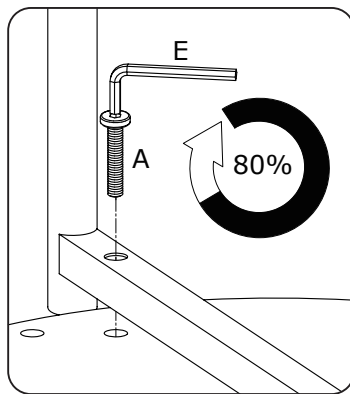
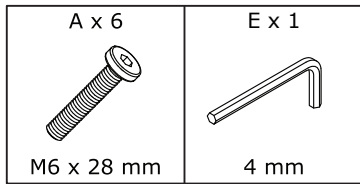
STEP 1:



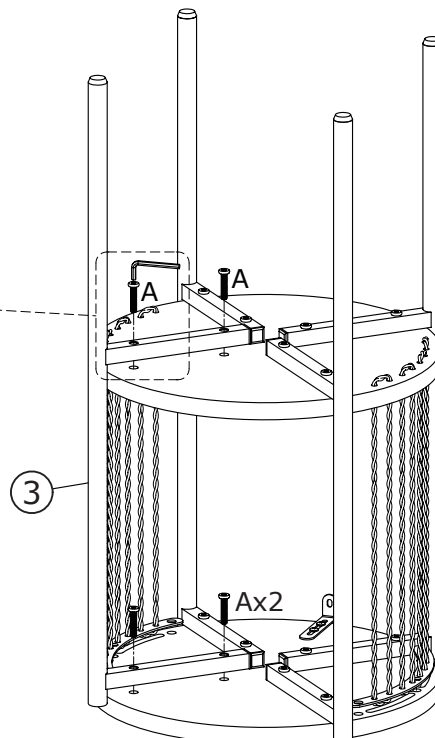
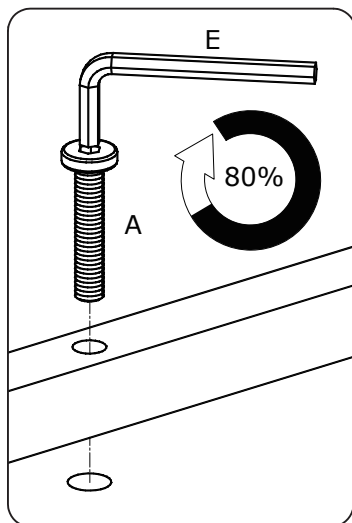
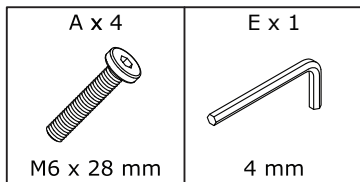
STEP 2:



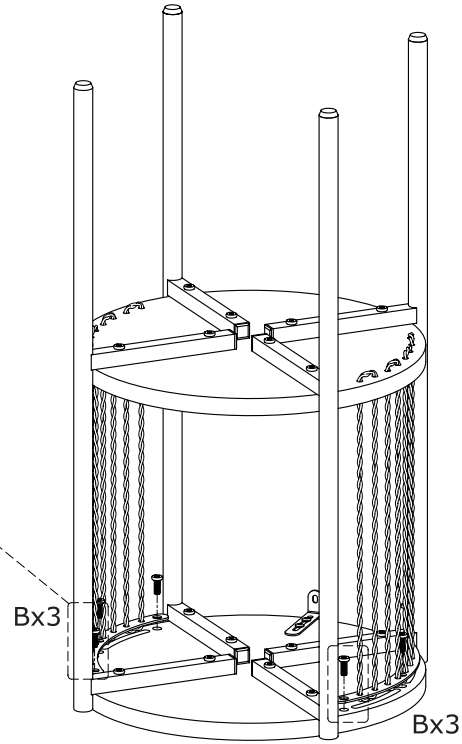
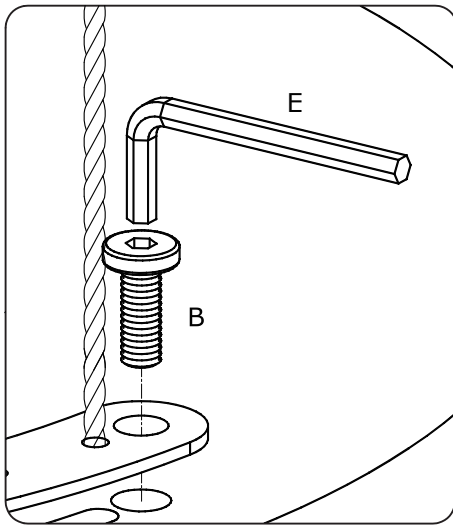
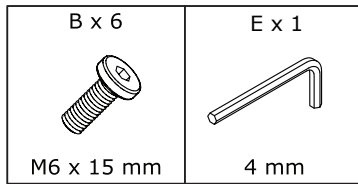
STEP 3:



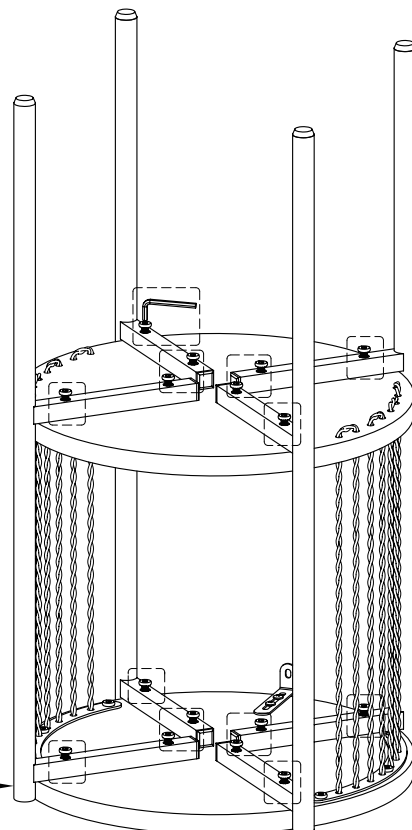
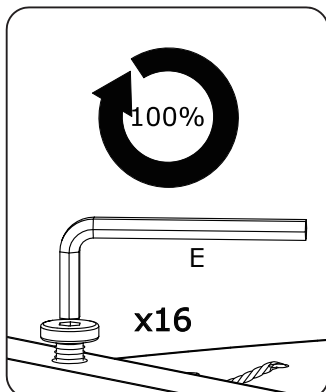
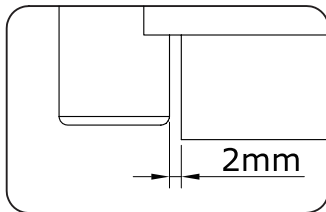
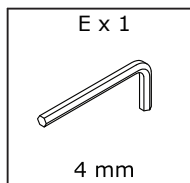
STEP 4:



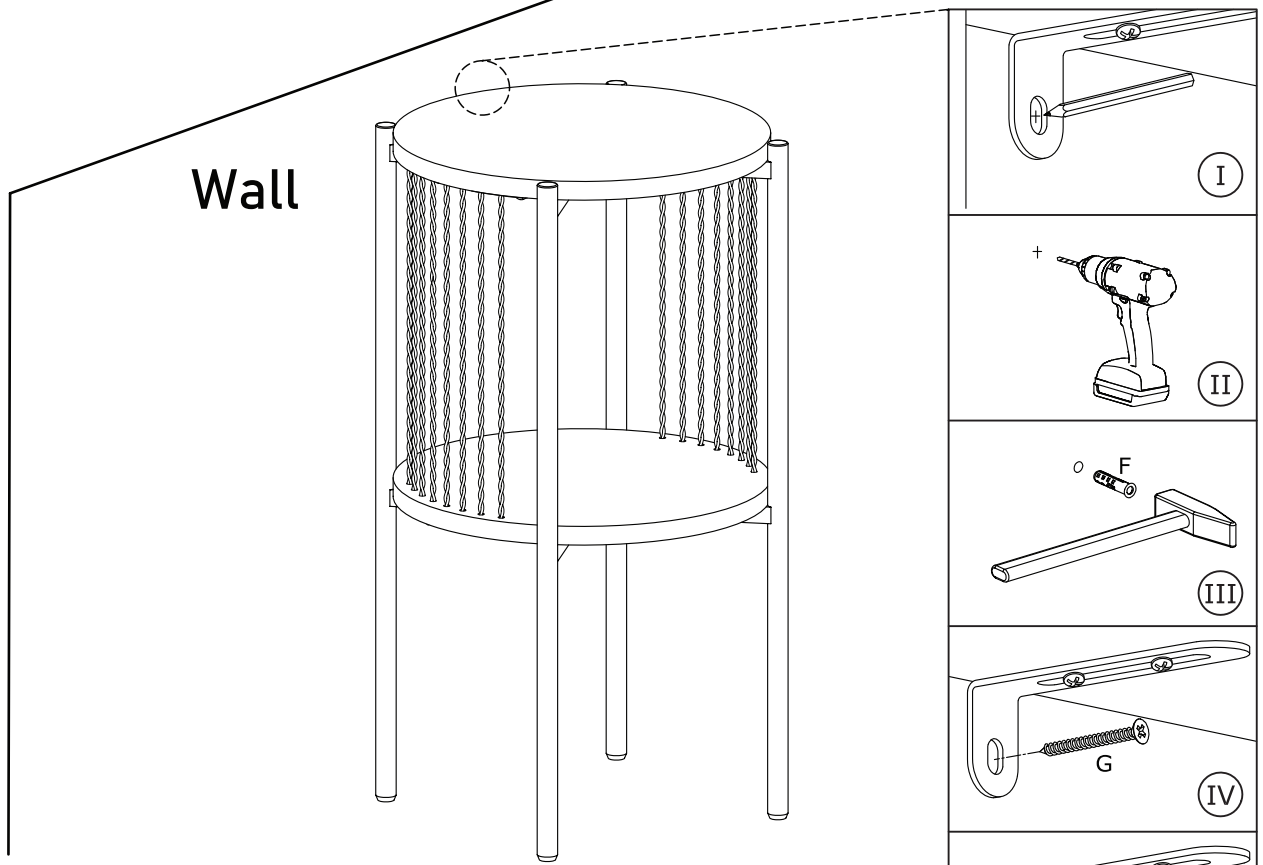
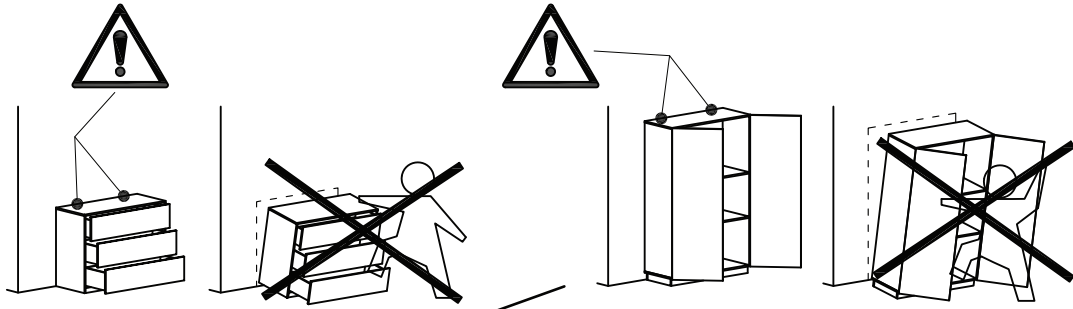
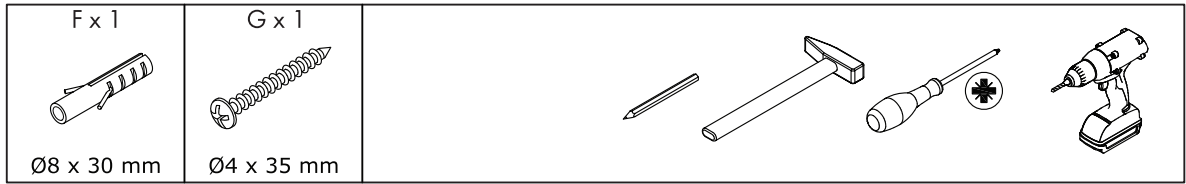
STEP 5:



STEP 6:



STEP 7:



WARNING: Any furniture that is not anchored to a wall has the potential to tip over in certain circumstances, ie. if a child attempts to climb on the furniture or in the event of an earthquake. Accordingly, we recommend that all furniture is anchored to a wall. We supply a free safety wall anchor with all furniture sold and we recommend these are used to prevent your product tipping. The fixing device provided should fit most wall types, but please note that different wall materials may require different fixing devices from those supplied.

- Do not overtighten screws and fittings.
- Re-tighten all screws and fittings periodically.