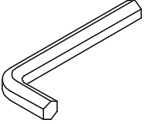
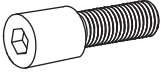
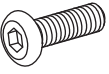


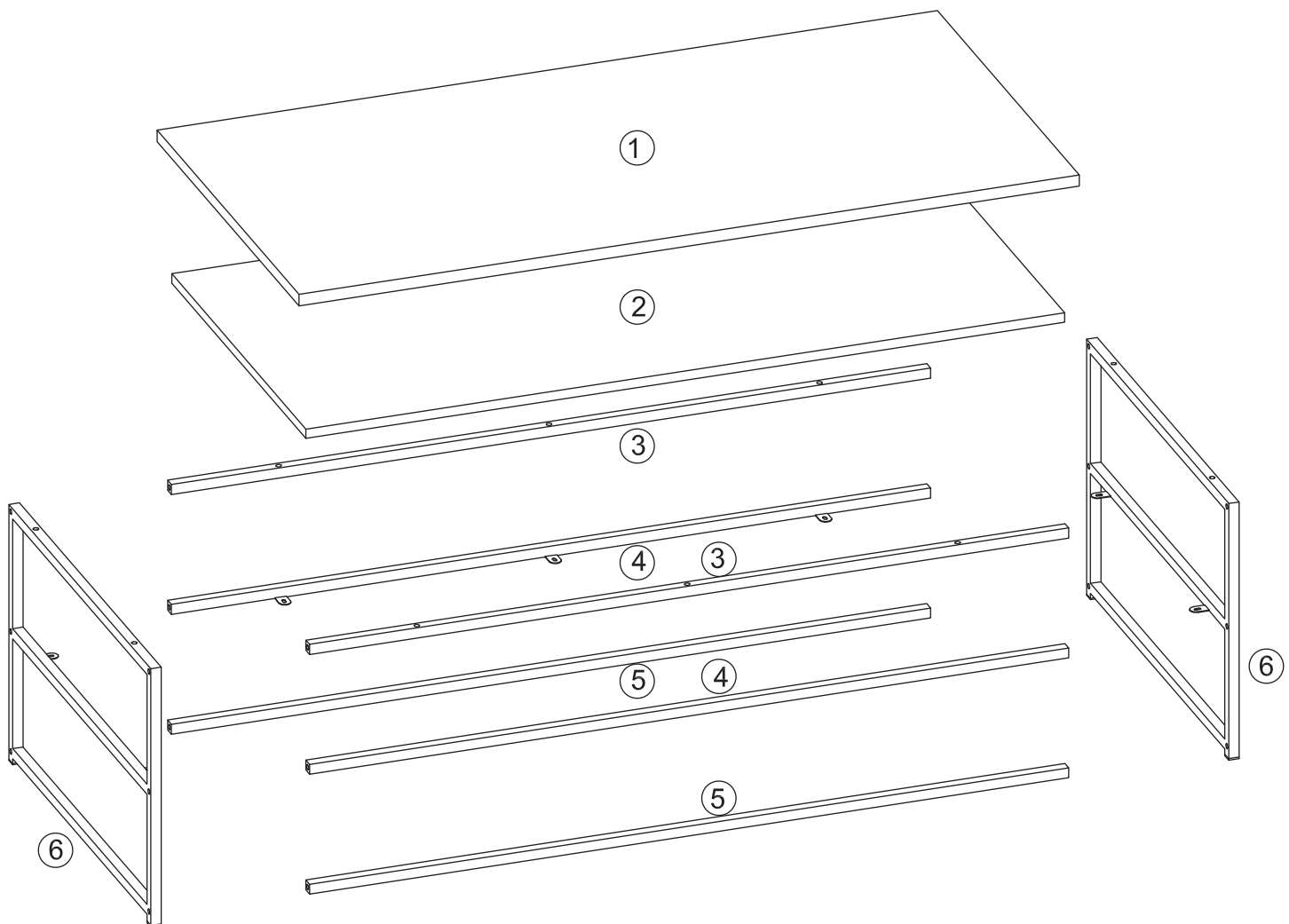


INCLUDED PARTS

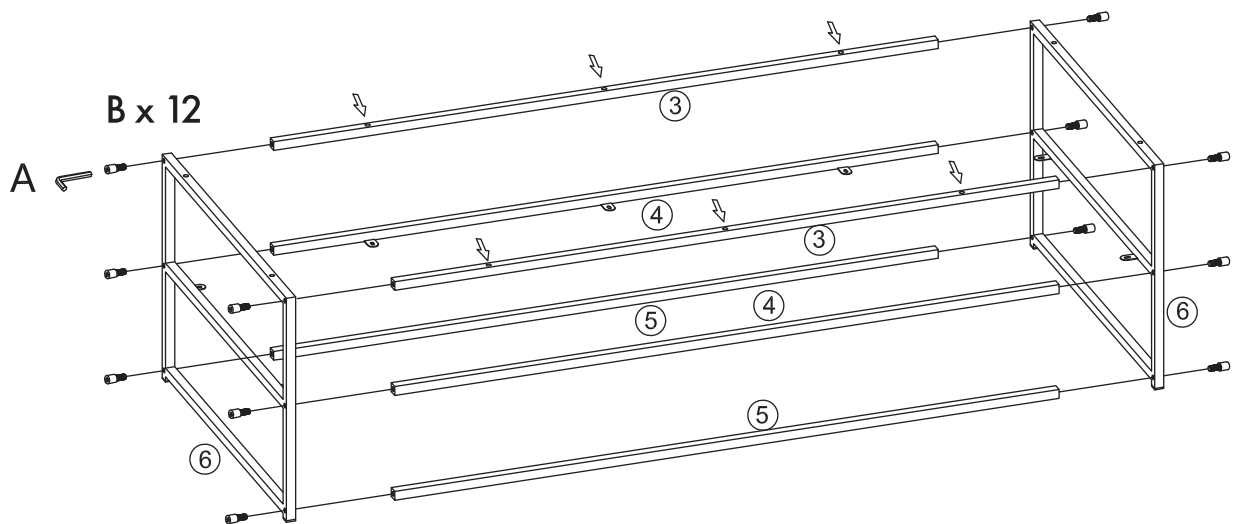
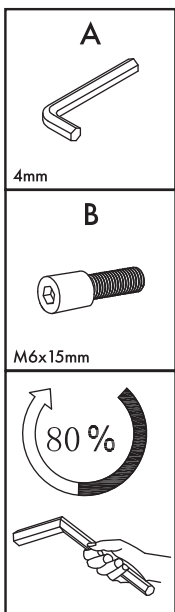
<p>A x 1PC</p>  <p>4mm</p>	<p>B x 12PCS</p>  <p>M6x15mm</p>	<p>C x 10PCS</p>  <p>M6x25mm</p>	<p>D x 10PCS</p>  <p>M4x12mm</p>	<p>TOOL REQUIRED</p> 
---	---	---	---	--



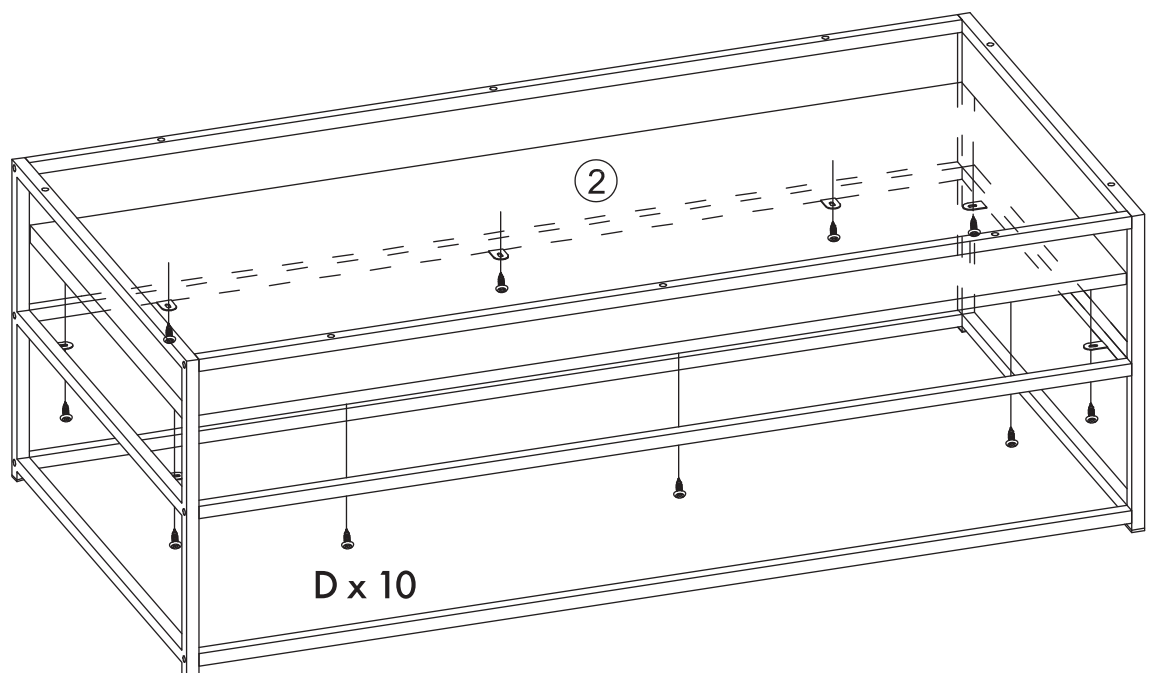
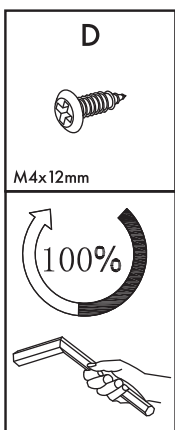
## INSTRUCTIONS

Please read the instructions carefully. Remove all wrapping material, staples and packing straps from the carton. See Included Parts list for guidance. Be sure you have all the parts before you start assembling. Place all wooden furniture on a clean and flat soft surface, such as a carpet or rug to prevent it from being scratched.

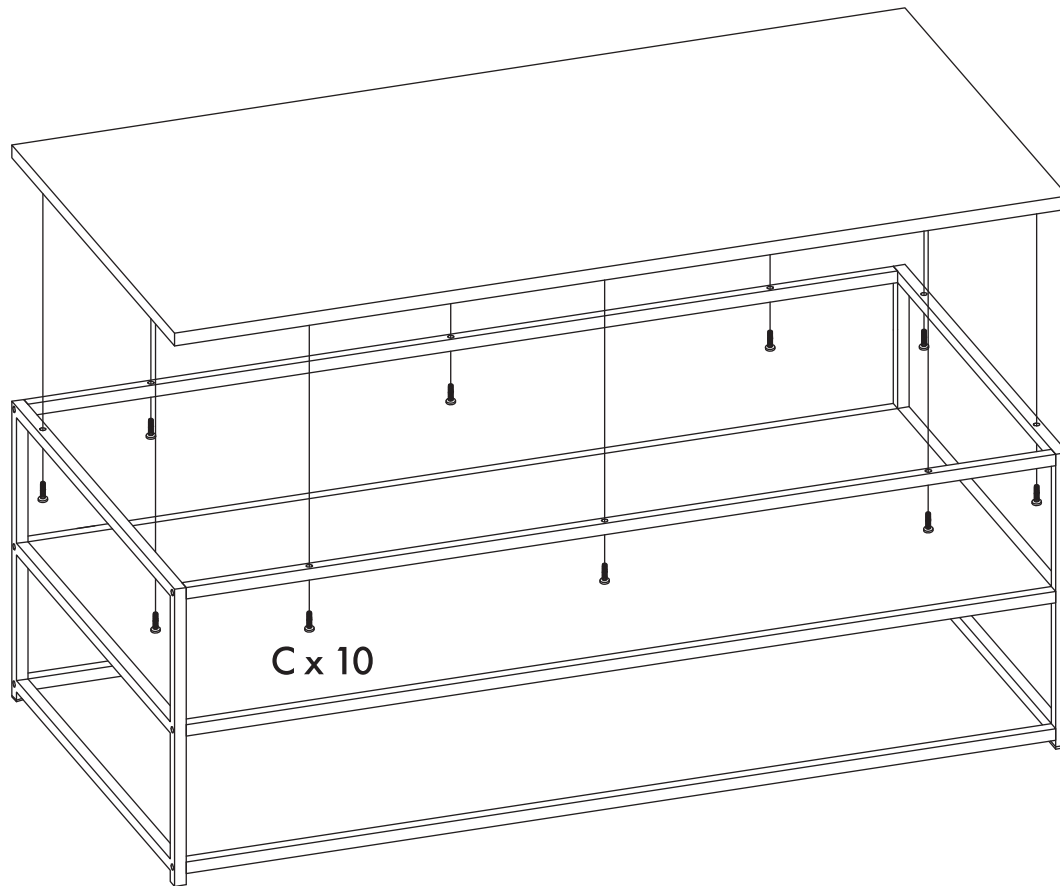
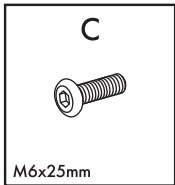
### STEP 1:



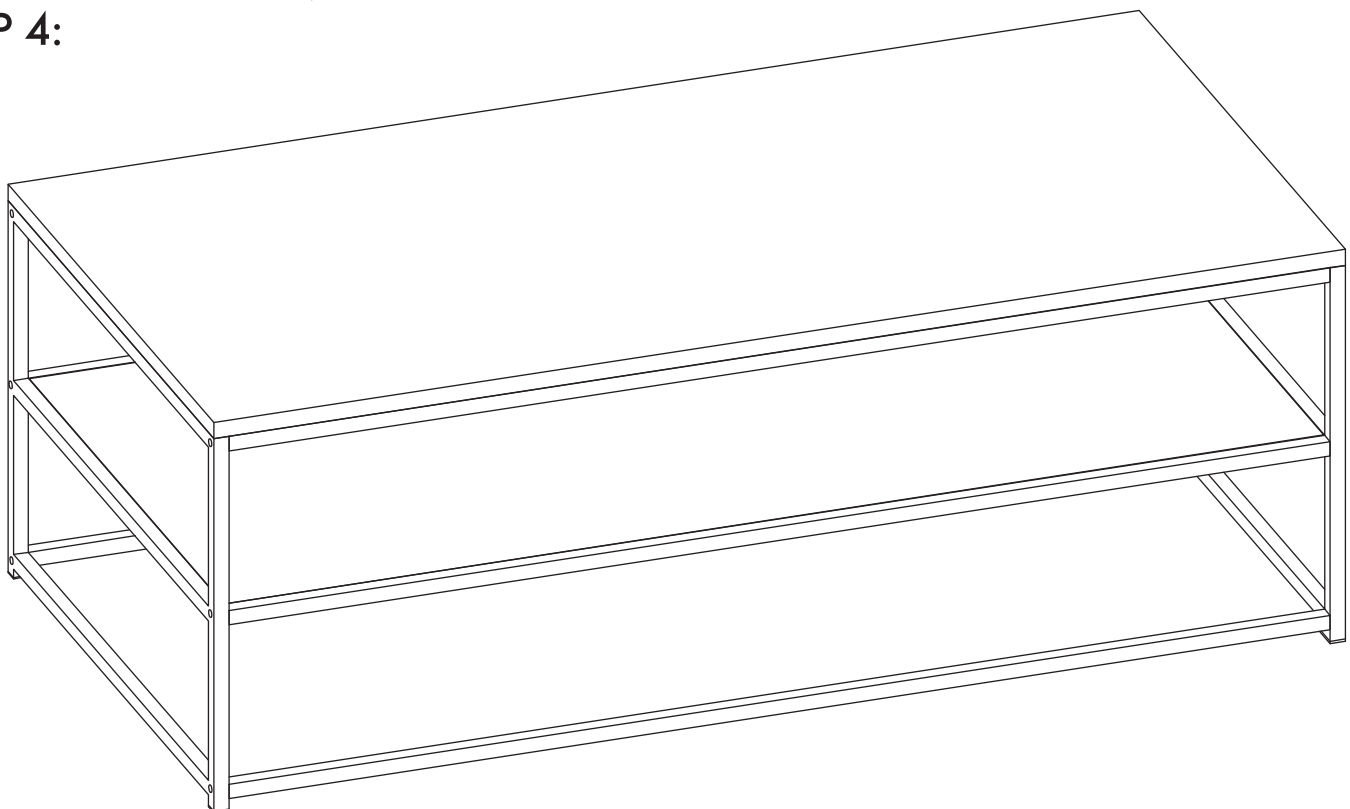
### STEP 2:



STEP 3:



STEP 4:



- Do not overtighten screws and fittings.
- Re-tighten all screws and fittings periodically.