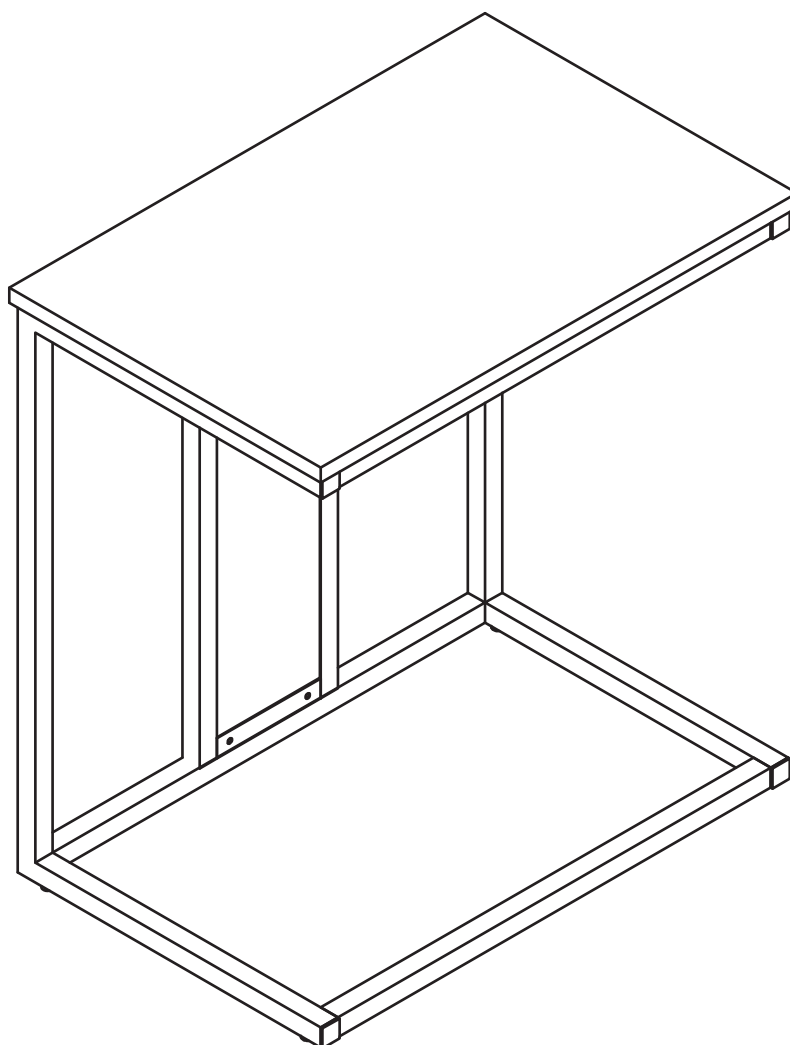


*Cooper & Co.*<sup>®</sup>

# Floyd Sofa Table

ASSEMBLY  
INSTRUCTIONS



Cooper & Co.<sup>®</sup>

# Cheers for making this yours!

Cooper & Co is your go-to source for homeware that's as stylish as it is affordable! With our carefully curated selection, we aim to bring you the best of both worlds, ensuring that you can create a space that reflects your personal style without breaking the bank.

We're on a mission to sprinkle some pizzazz into every home. Whether you're looking to transform your living room, kitchen, or bedroom into a masterpiece, fret not! With us, you don't have to sacrifice quality or design.

## TIPS BEFORE YOU START

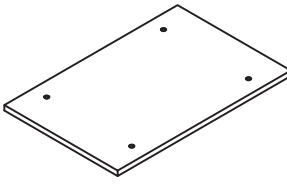
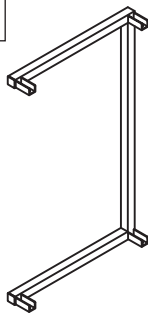
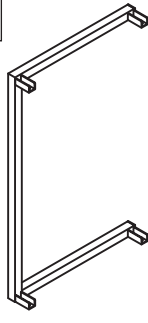
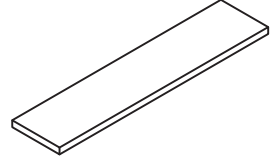
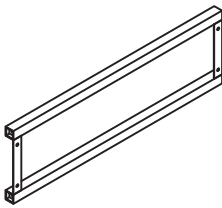
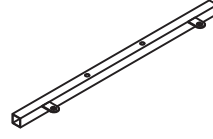
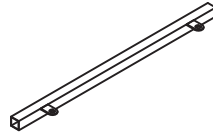
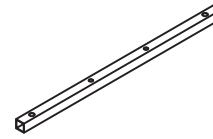
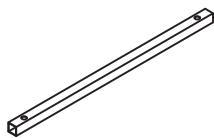
1. Sit back, take a deep breath, and get ready to dive into the laid-back world of furniture assembly. We've got your back with some simple instructions that will have you relaxing with your amazing new piece in no time.
2. Please check that all parts are present before you start the assembly of your furniture.
3. For ease and speed of assembly, we recommend that before you commence each step of the assembly, that you identify all the parts required for that step.
4. For larger items, please ensure that you have sufficient space and people to assemble your product safely.
5. We recommend that, where possible, all items are assembled near to the area in which they will be placed in use, to avoid moving the product unnecessarily once assembled.
6. For the protection of your furniture, we recommend that the product is placed on a protected surface during assembly to prevent any damage.
7. During assembly please take care not to over-tighten any fittings, as this may damage the product. Do not use power tools.
8. Always place the product on a flat, steady and stable surface.
9. Do not stand on the product. Do not use the product as a stepladder.
10. This product is intended for indoor, household use only as it is a non-industrial product.
11. Please use caution and care when lifting the product to avoid personal injury and/or product damage.

## ASSEMBLY REQUIREMENTS

- 1m x 1m assembly space required. Give your furniture some breathing room!
- Approximately 0.75 hour assembly time. Remember, it's not a race, so take your time, enjoy the process.
- 1 x adult required, you can do this!



# PARTS LIST

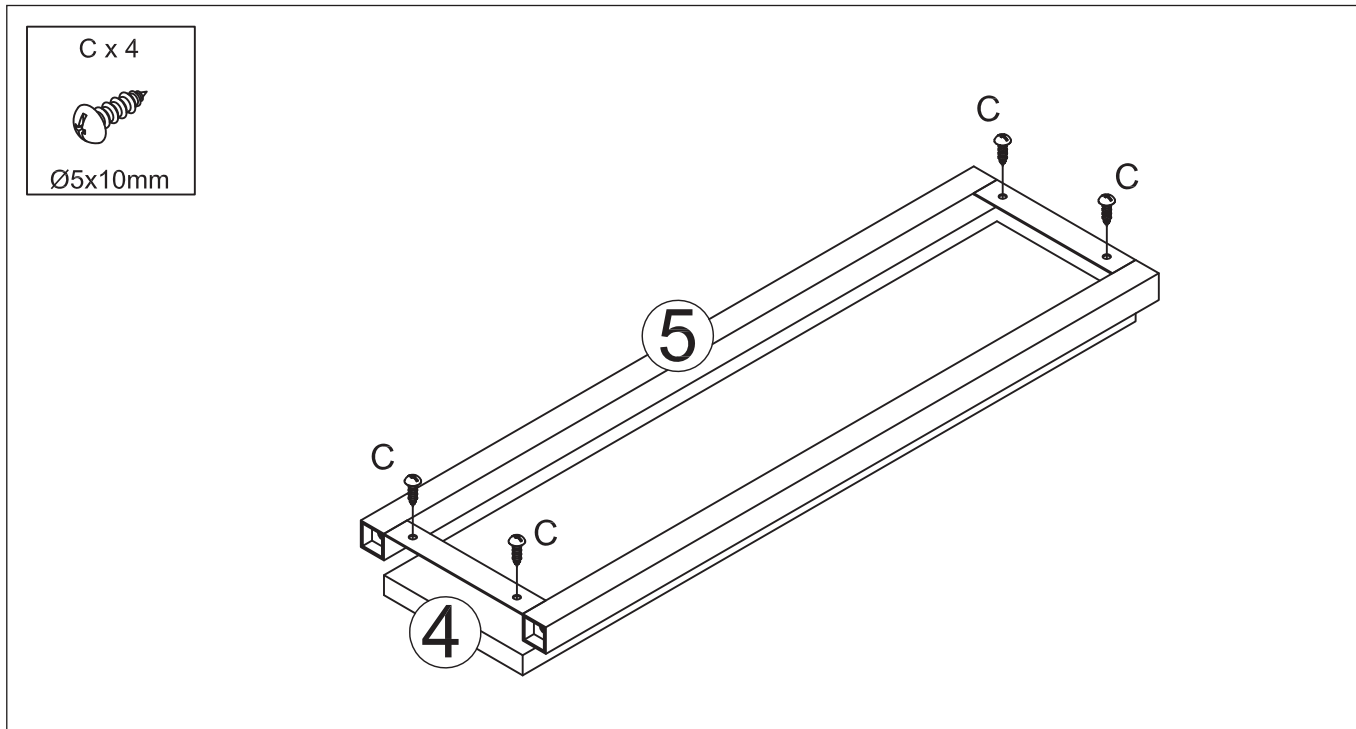
<p>1</p>  <p>x1</p>	<p>2</p>  <p>x1</p>	<p>3</p>  <p>x1</p>	<p>4</p>  <p>x1</p>
<p>5</p>  <p>x1</p>	<p>6</p>  <p>x1</p>	<p>7</p>  <p>x1</p>	<p>8</p>  <p>x1</p>
<p>9</p>  <p>x1</p>			

# HARDWARE

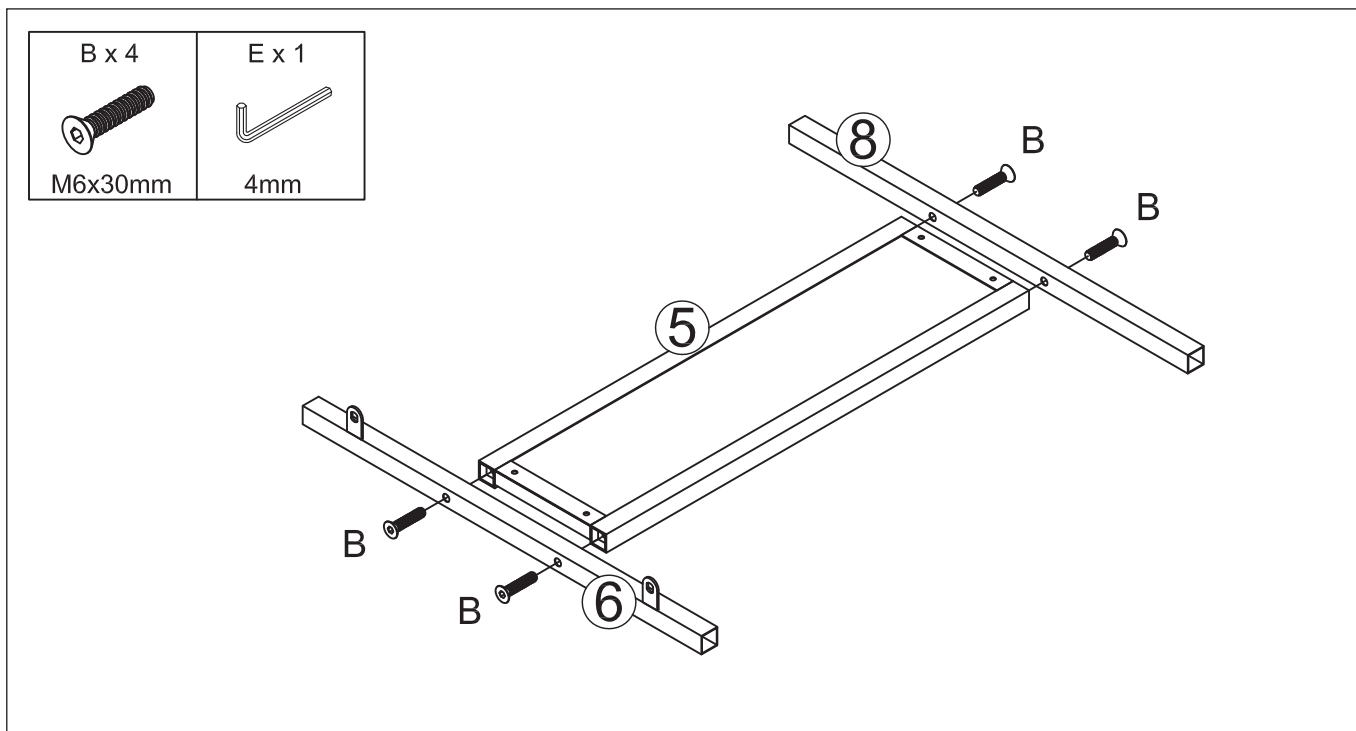
<div data-bbox="159 399 224 454" data-label="Text"> <p><b>A</b></p> </div> <div data-bbox="305 537 412 629" data-label="Image"> </div> <div data-bbox="155 725 570 766" data-label="Text"> <p>M6x10mm x12</p> </div>	<div data-bbox="613 399 678 454" data-label="Text"> <p><b>B</b></p> </div> <div data-bbox="737 530 883 638" data-label="Image"> </div> <div data-bbox="602 725 1008 766" data-label="Text"> <p>M6x30mm x4</p> </div>	<div data-bbox="1060 399 1125 454" data-label="Text"> <p><b>C</b></p> </div> <div data-bbox="1198 541 1317 629" data-label="Image"> </div> <div data-bbox="1052 725 1458 766" data-label="Text"> <p>Ø5x10mm x4</p> </div>
<div data-bbox="159 801 224 856" data-label="Text"> <p><b>D</b></p> </div> <div data-bbox="315 920 394 1030" data-label="Image"> </div> <div data-bbox="155 1127 561 1168" data-label="Text"> <p>Ø13mm x4</p> </div>	<div data-bbox="613 801 678 856" data-label="Text"> <p><b>E</b></p> </div> <div data-bbox="716 943 883 1042" data-label="Image"> </div> <div data-bbox="602 1127 1008 1168" data-label="Text"> <p>4mm x1</p> </div>	

# ASSEMBLY INSTRUCTIONS

## STEP 1

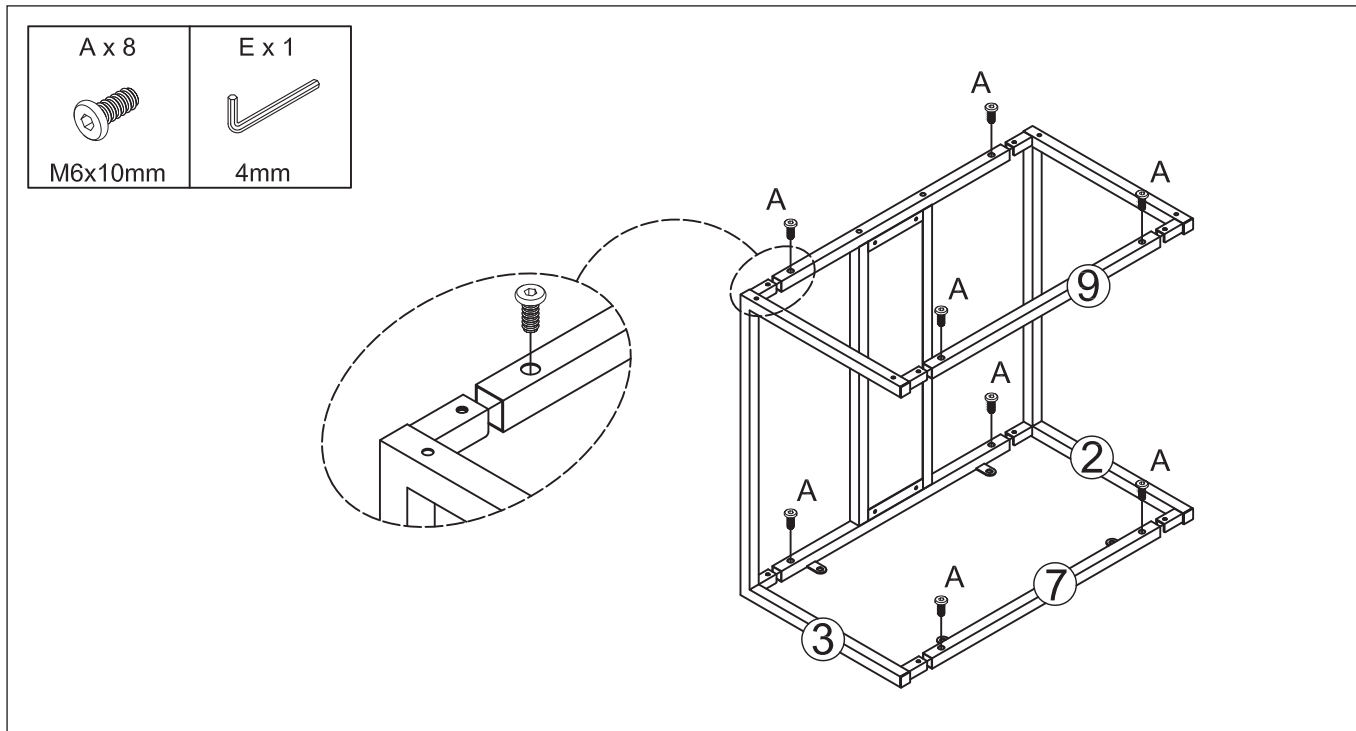


## STEP 2

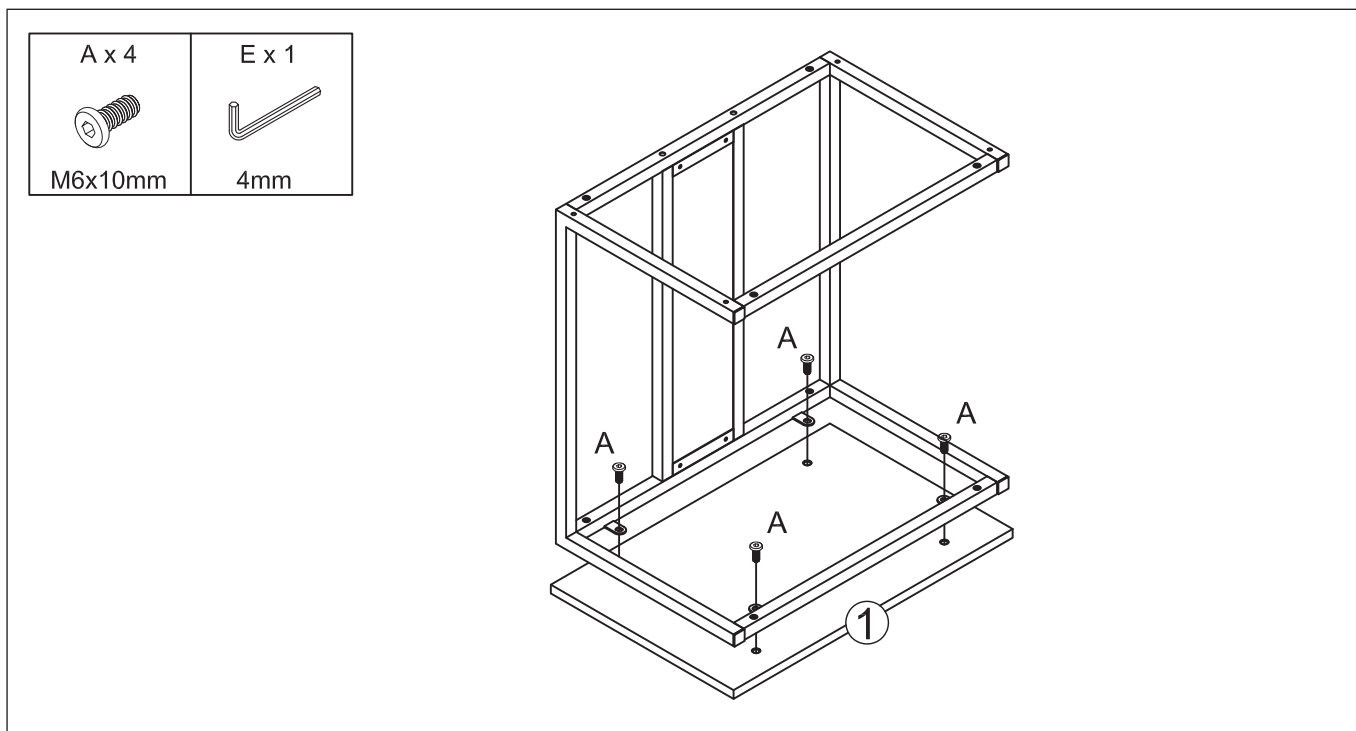


# ASSEMBLY INSTRUCTIONS

## STEP 3

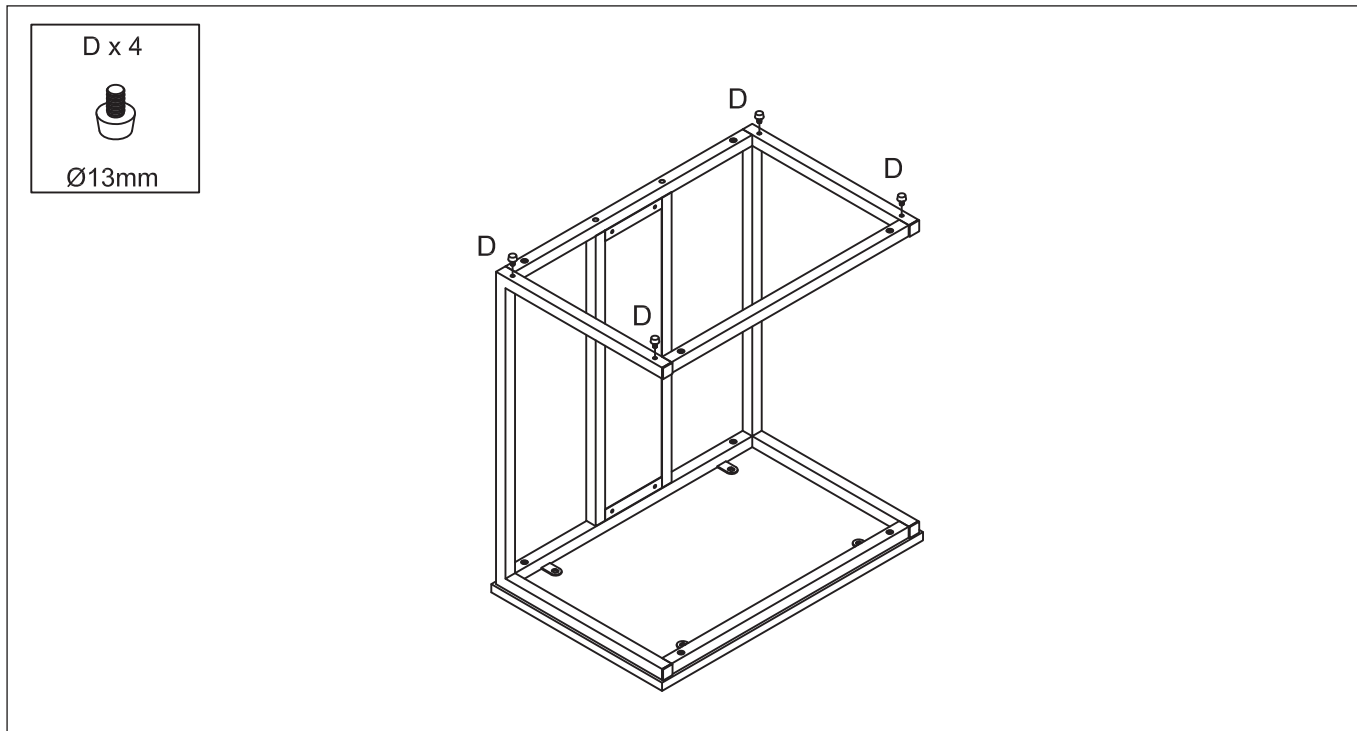


## STEP 4

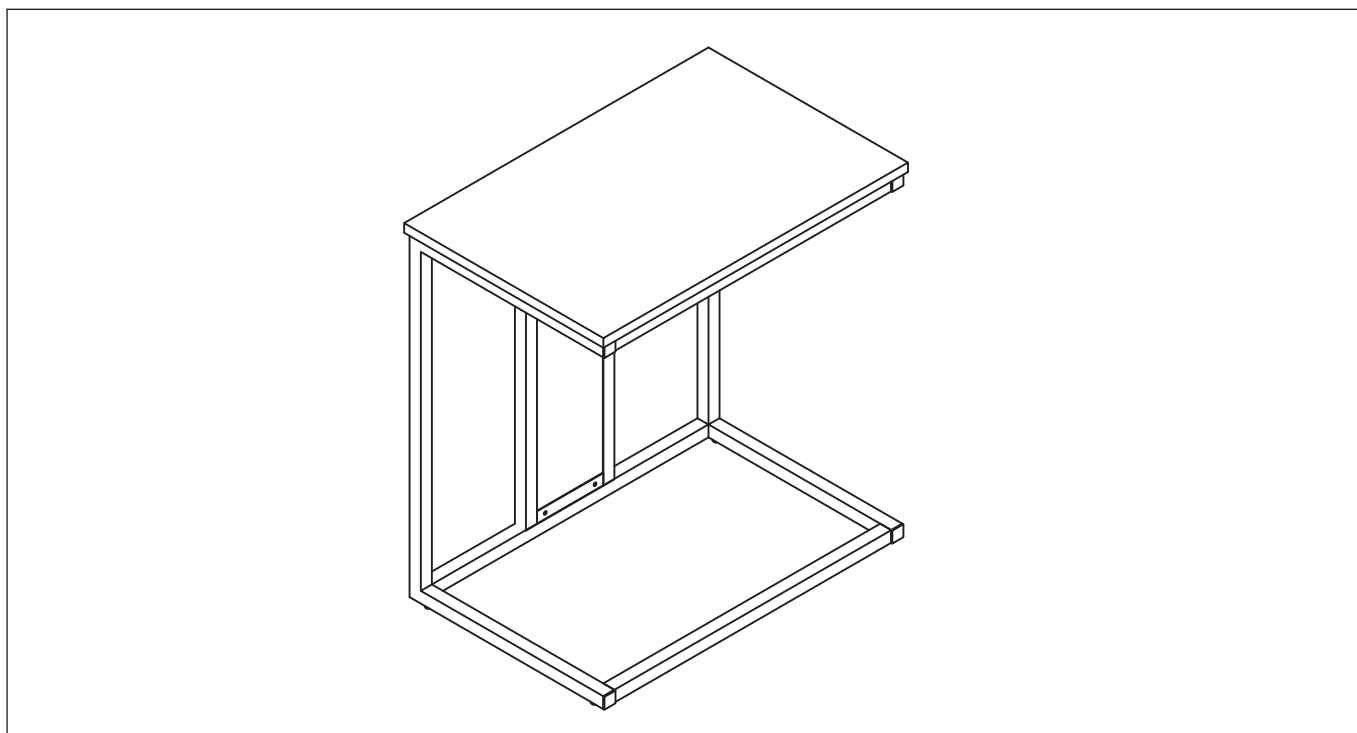


# ASSEMBLY INSTRUCTIONS

## STEP 5



## STEP 6



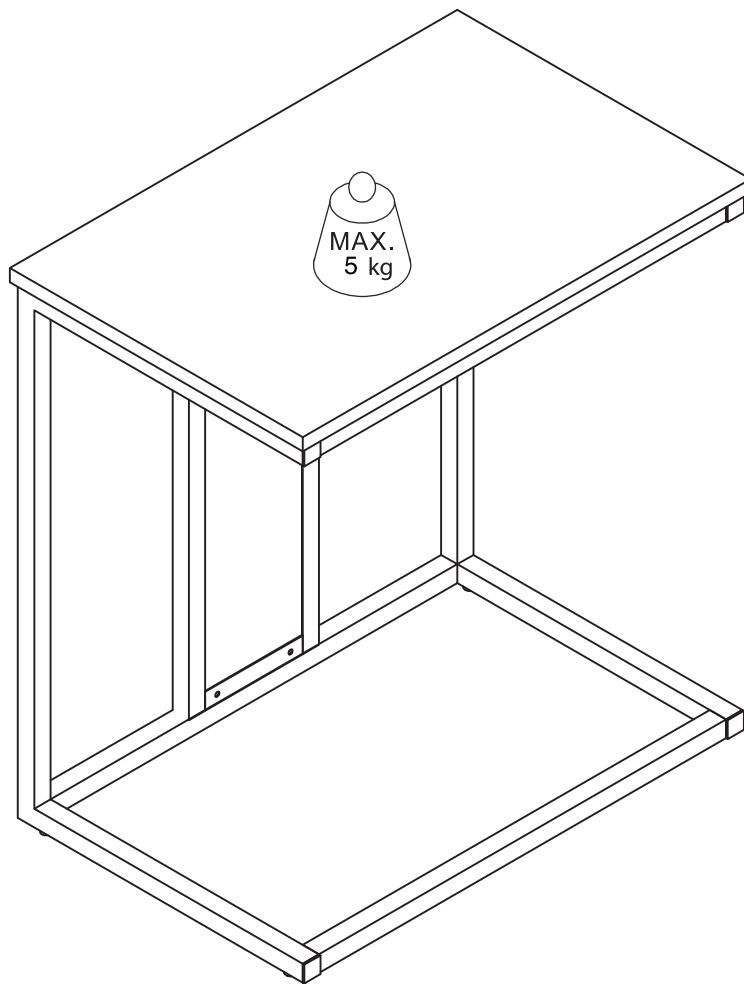
# ASSEMBLY INSTRUCTIONS

---

## RECOMMENDED WEIGHT

**MAXIMUM RECOMMENDED WEIGHT IS 5KG ON TOP.**

Your new product is ready for use.





# CARE & MAINTENANCE OF YOUR PRODUCT

---

Just a few simple steps to keep your furniture looking fabulous and functioning flawlessly:

- Please periodically check all fittings and re-tighten as necessary.
- To clean your item, please use a damp cloth and wipe clean.
- To clean glass, please use glass cleaner.
- Never allow any kind of liquid to remain on your furniture.  
Absorption can cause wood to warp or finishes to de-laminate.
- Please do not place hot items (eg. hot drinks) directly on to the surface.
- Please do not drag and pull your furniture.

## WARRANTY

Cooper & Co products are warranted to be free from defects in materials and workmanship for the warranty period of 12 months from the date of retail sale. Our goods come with guarantees that cannot be excluded under the Australian Consumer Law. You are entitled to a replacement or refund for a major failure and for compensation for any other reasonably foreseeable loss or damage. You are also entitled to have the goods repaired or replaced if the goods fail to be of acceptable quality and the failure does not amount to a major failure.

*Cooper & Co.*<sup>®</sup>

Cooper & Co products are waiting for you at:

**[www.cooperandco.com.au](http://www.cooperandco.com.au)**

Find us on Instagram at:

**[cooperandco\\_australia](https://www.instagram.com/cooperandco_australia)**