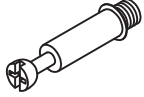



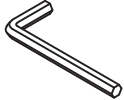







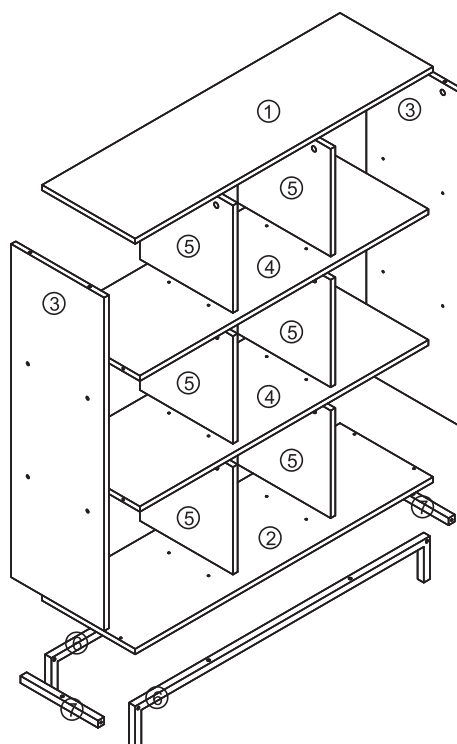


INCLUDED PARTS

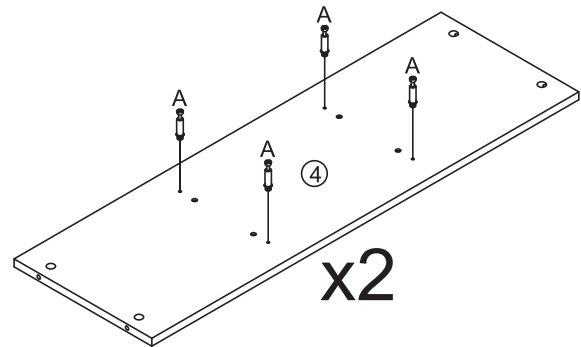
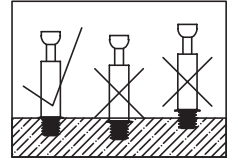
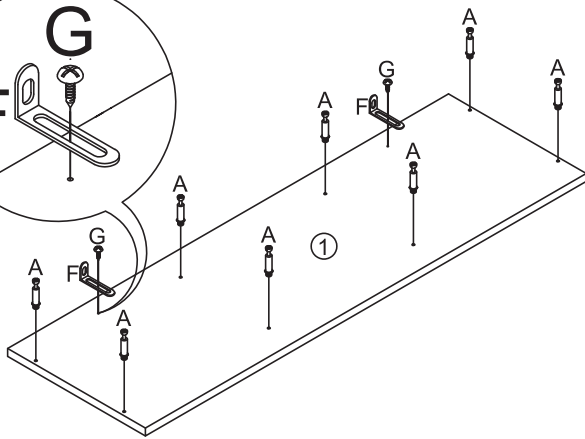
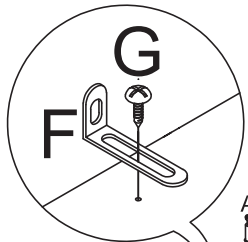
| | | | |
|---|--|---|--|
| <p>A</p>  <p>16 PCS</p> | <p>B</p>  <p>16 PCS</p> | <p>C</p>  <p>Φ4x25 6 PCS</p> | <p>D</p>  <p>Φ6x30 4 PCS</p> |
| <p>E</p>  <p>1 PC</p> | <p>F</p>  <p>2 PCS</p> | <p>G</p>  <p>Φ4x12 2 PCS</p> | <p>H</p>  <p>2 PCS</p> |
| <p>I</p>  <p>Φ4x35 2 PCS</p> | <p>J</p>  <p>Φ5x40 24 PCS</p> | <p>K</p>  <p>8 PCS</p> | |
|  | | | |

INSTRUCTIONS

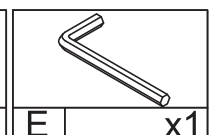
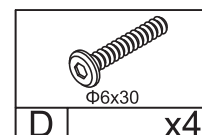
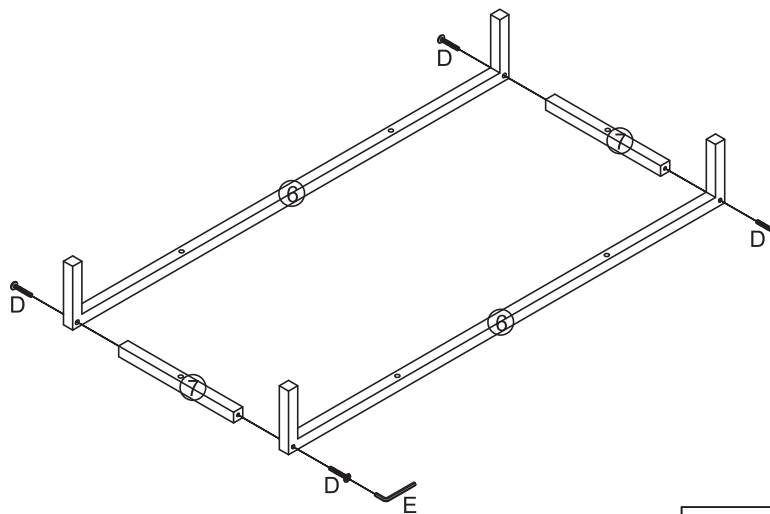
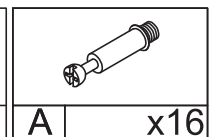
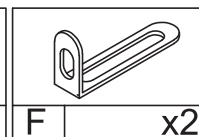
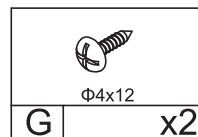
Please read the instructions carefully. Remove all wrapping material, staples and packing straps from the carton. See included parts list for guidance. Be sure you have all the parts before you start assembling. Place all wooden furniture on a clean and flat soft surface, such as a carpet or rug to prevent it from being scratched.



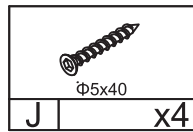
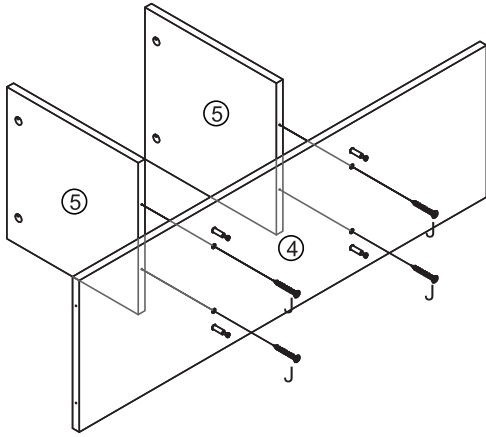
STEP 1:



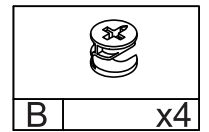
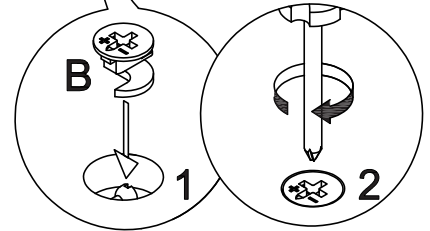
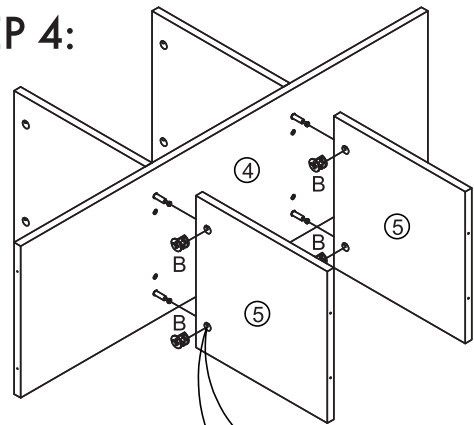
STEP 2:



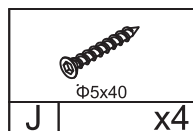
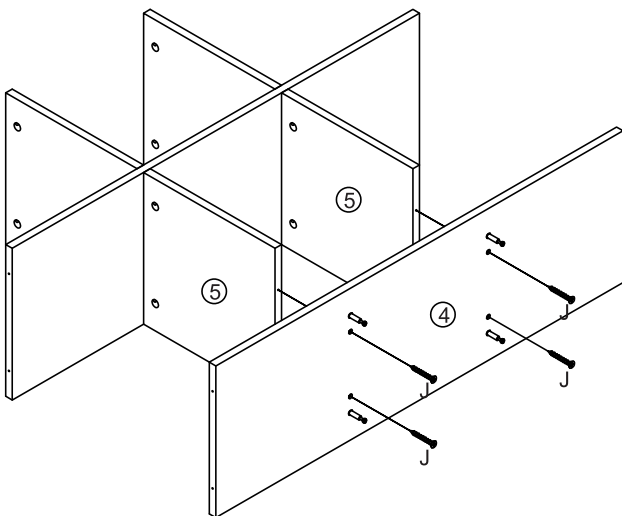
STEP 3:



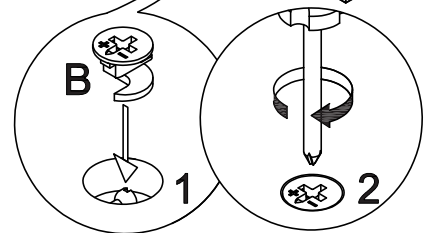
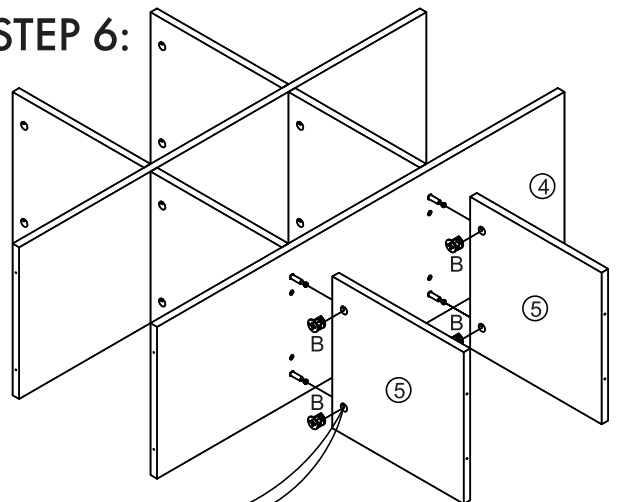
STEP 4:



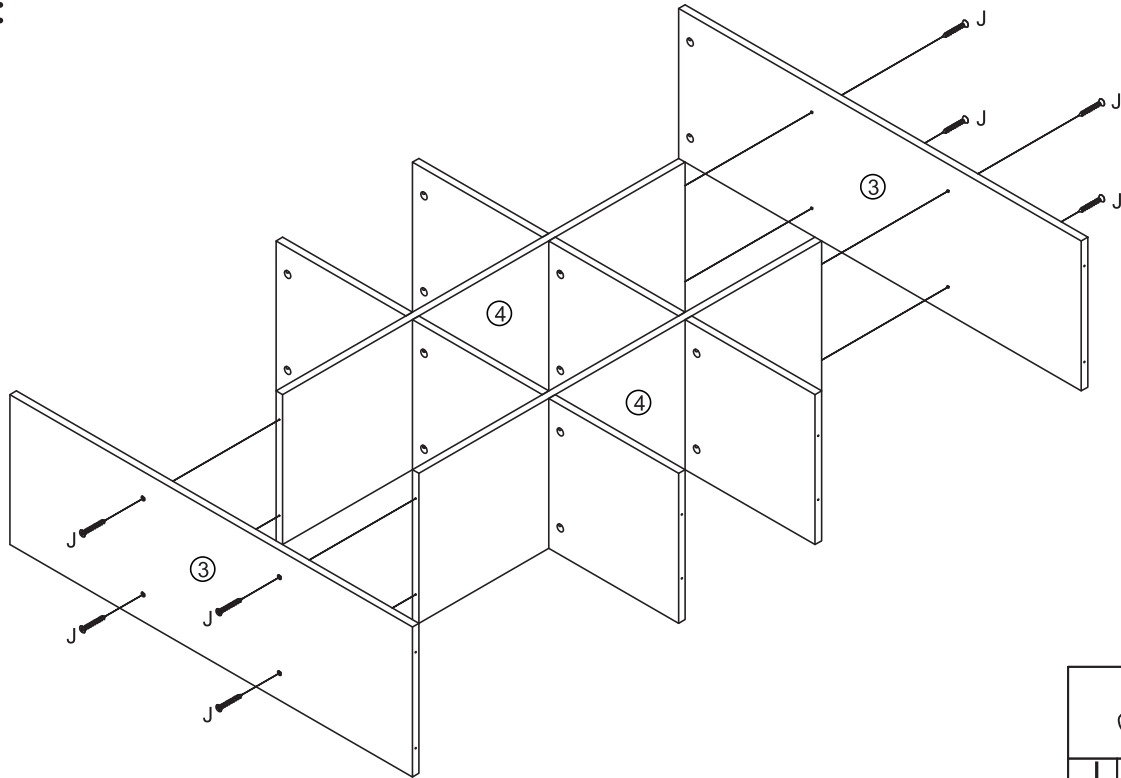
STEP 5:




STEP 6:

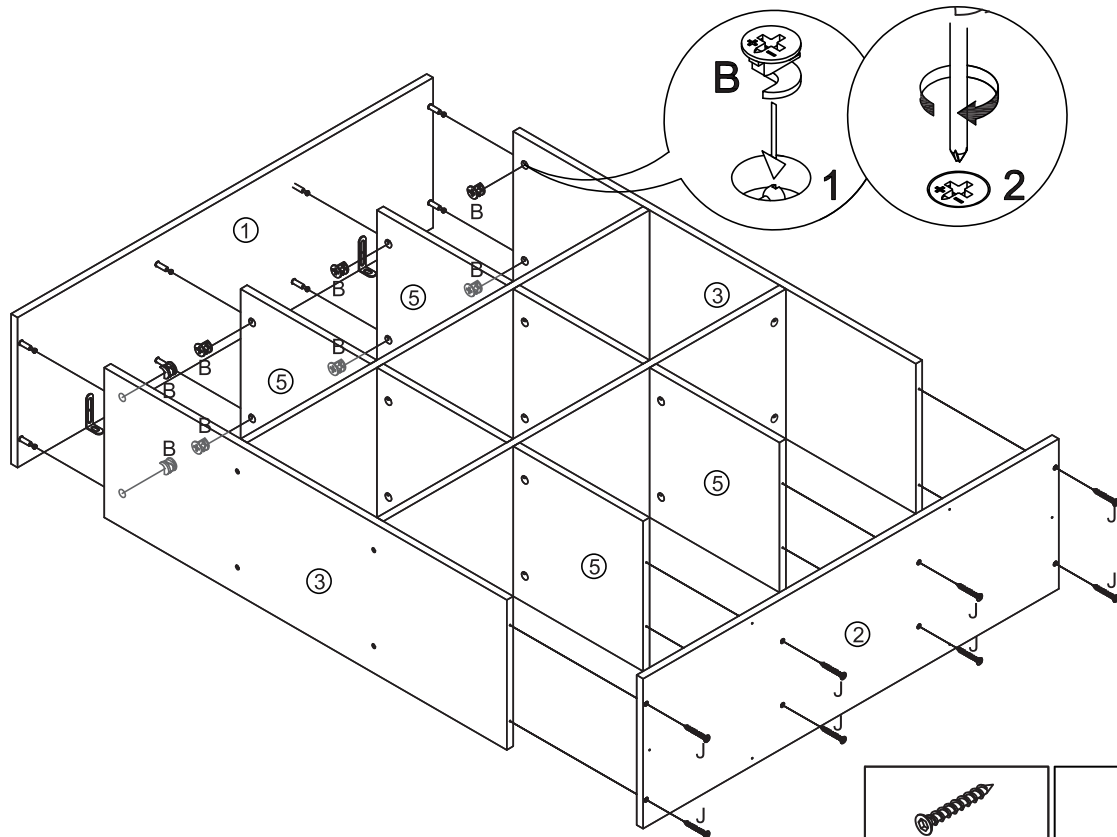


STEP 7:



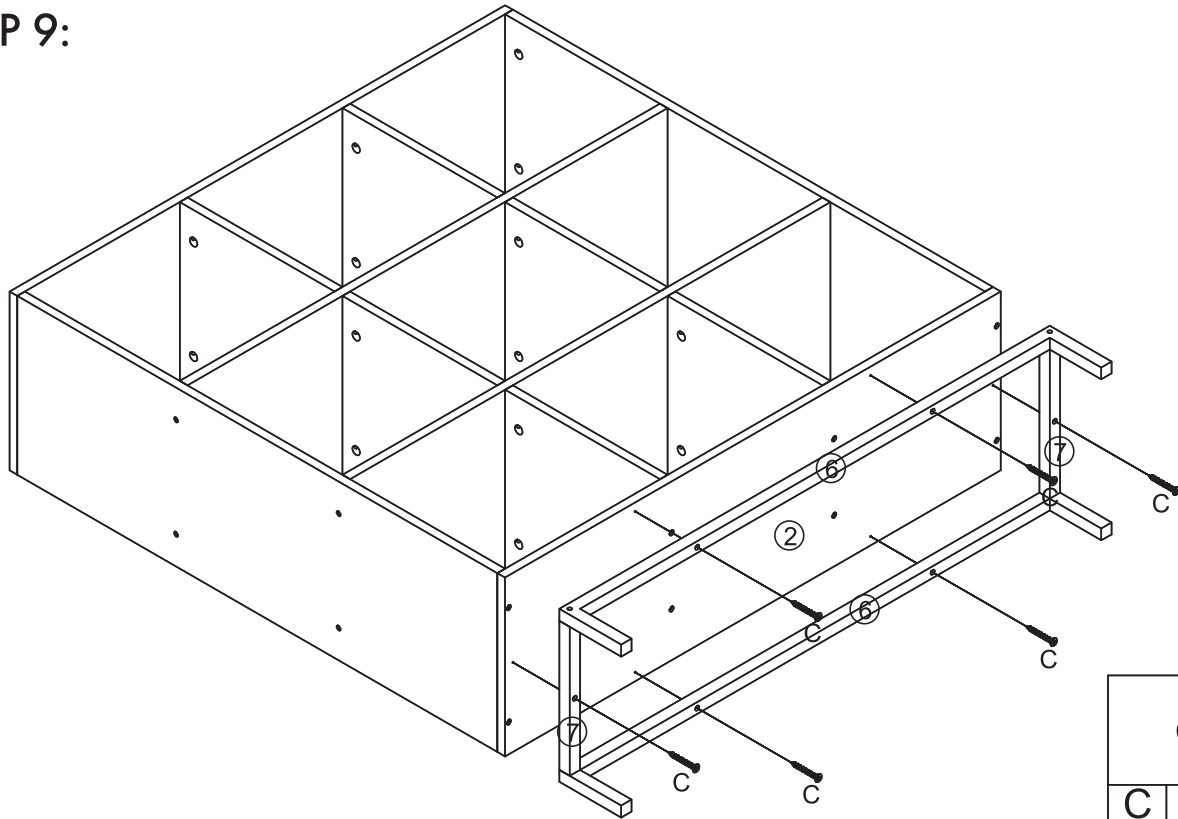
| | |
|---|----|
|  | |
| Φ5x40 | |
| J | x8 |


STEP 8:



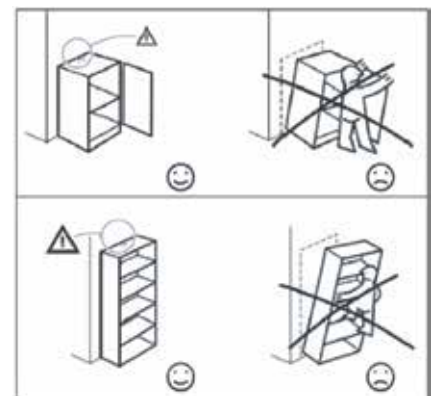
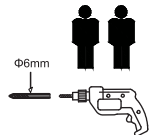
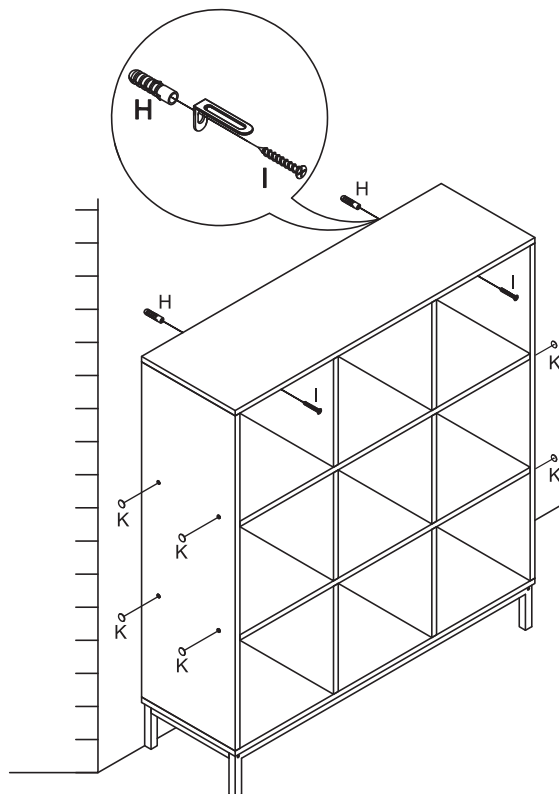
| | | | |
|---|----|---|----|
|  | |  | |
| Φ5x40 | | | |
| J | x8 | B | x8 |




STEP 9:



| | |
|---|----|
|  | |
| Φ4x25 | |
| C | x6 |

STEP 10:



| | | |
|---|---|---|
|  |  |  |
| K | x8 | H |
| | x2 | I |
| | | Φ4x35 |
| | | x2 |

- Do not overtighten screws and fittings.
- Re-tighten all screws and fittings periodically.