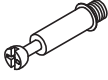






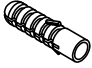

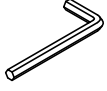

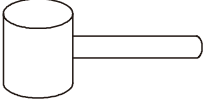
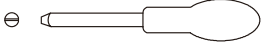


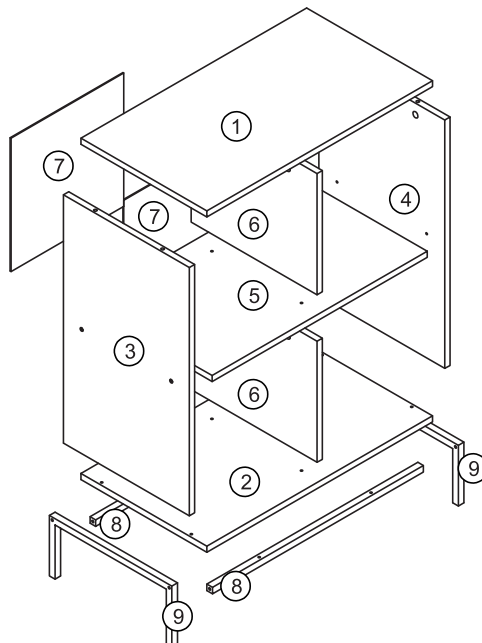


INCLUDED PARTS

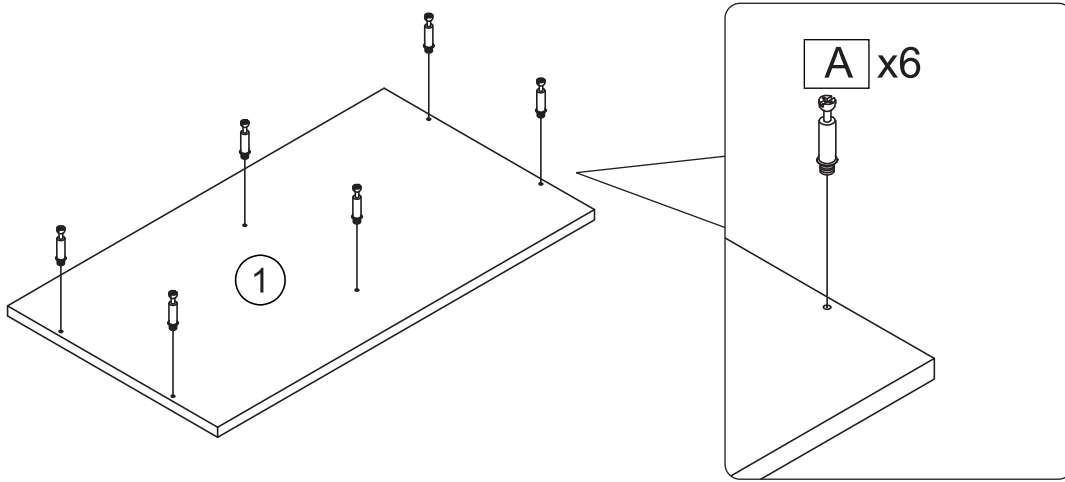
A	x4	B	x4	C	x4	D	x16	E	x13
				 Dia:6x30mm		 Dia:2x30mm		 Dia:4x35mm	
PIN		CAM LOCK		SCREW		BACK PANEL PIN		SCREW	
F	x4	G	x1	H	x1	I	x1	J	x1
 Dia:4x25mm		 Dia:4x12mm							
SCREW		SCREW		WALL PLUG		ANTI-TIP STRAP		ALLEN KEY	
K	x4	REQUIRED TOOLS							
		   							
CAP STICKER									

INSTRUCTIONS

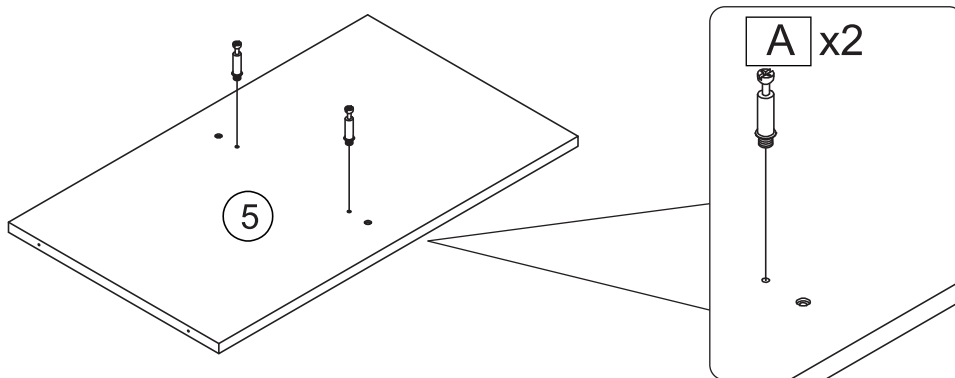
Please read the instructions carefully. Remove all wrapping material, staples and packing straps from the carton. See included parts list for guidance. Be sure you have all the parts before you start assembling. Place all wooden furniture on a clean and flat soft surface, such as a carpet or rug to prevent it from being scratched.



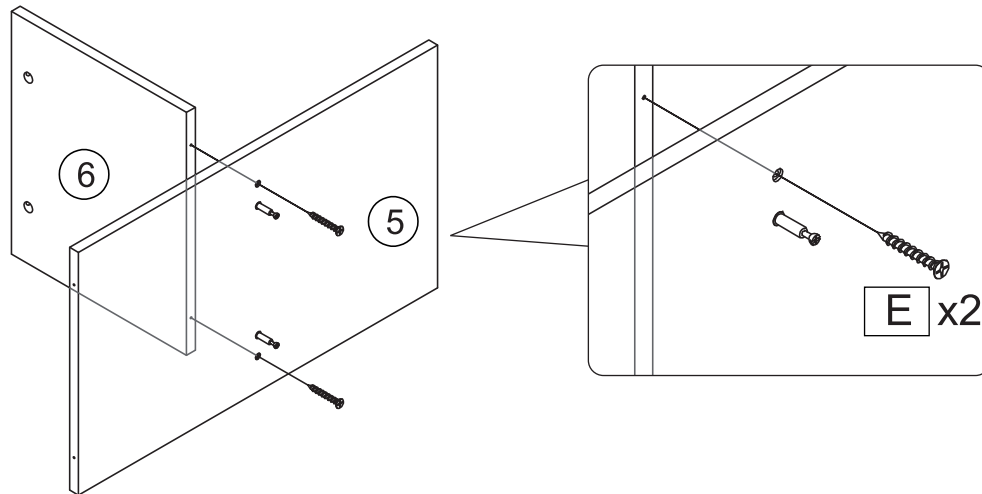
STEP 1:



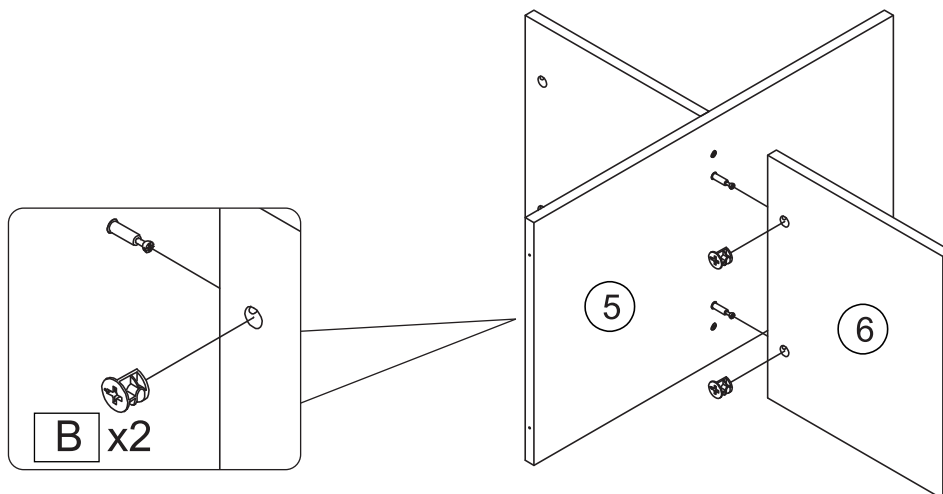
STEP 2:



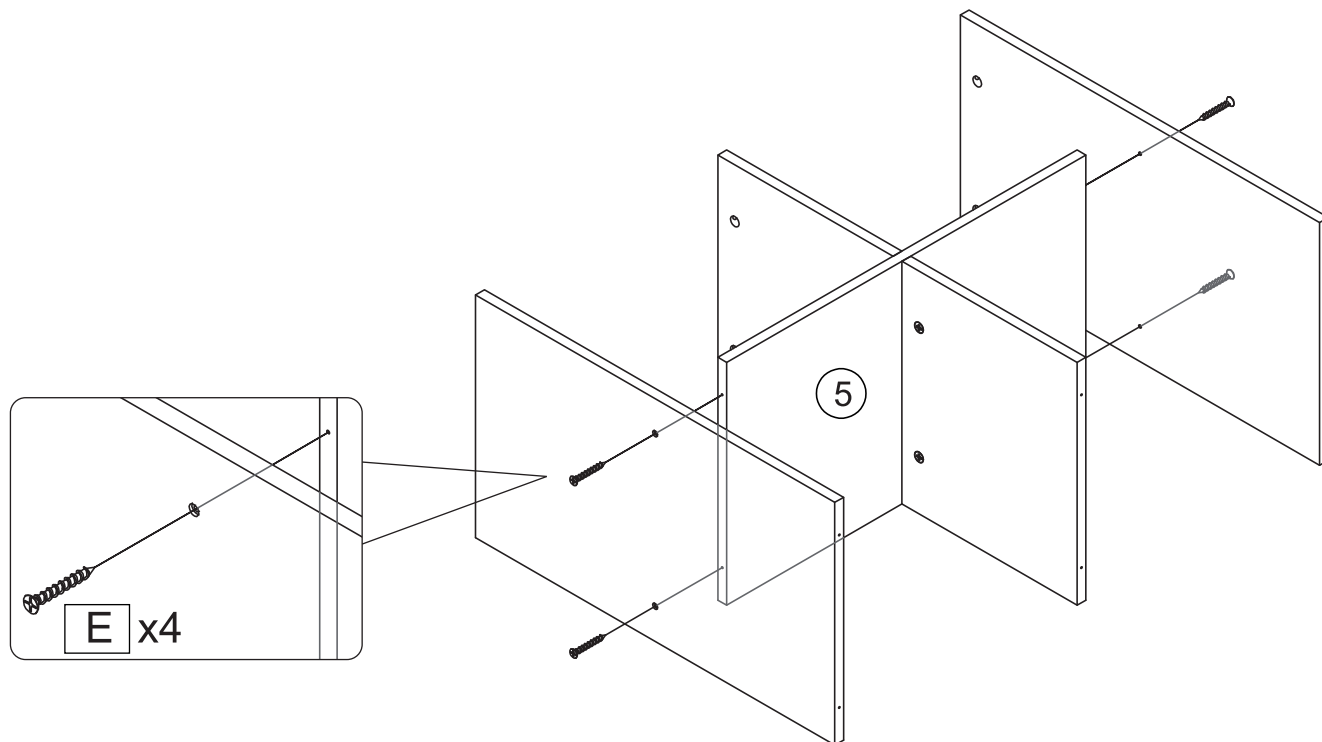
STEP 3:



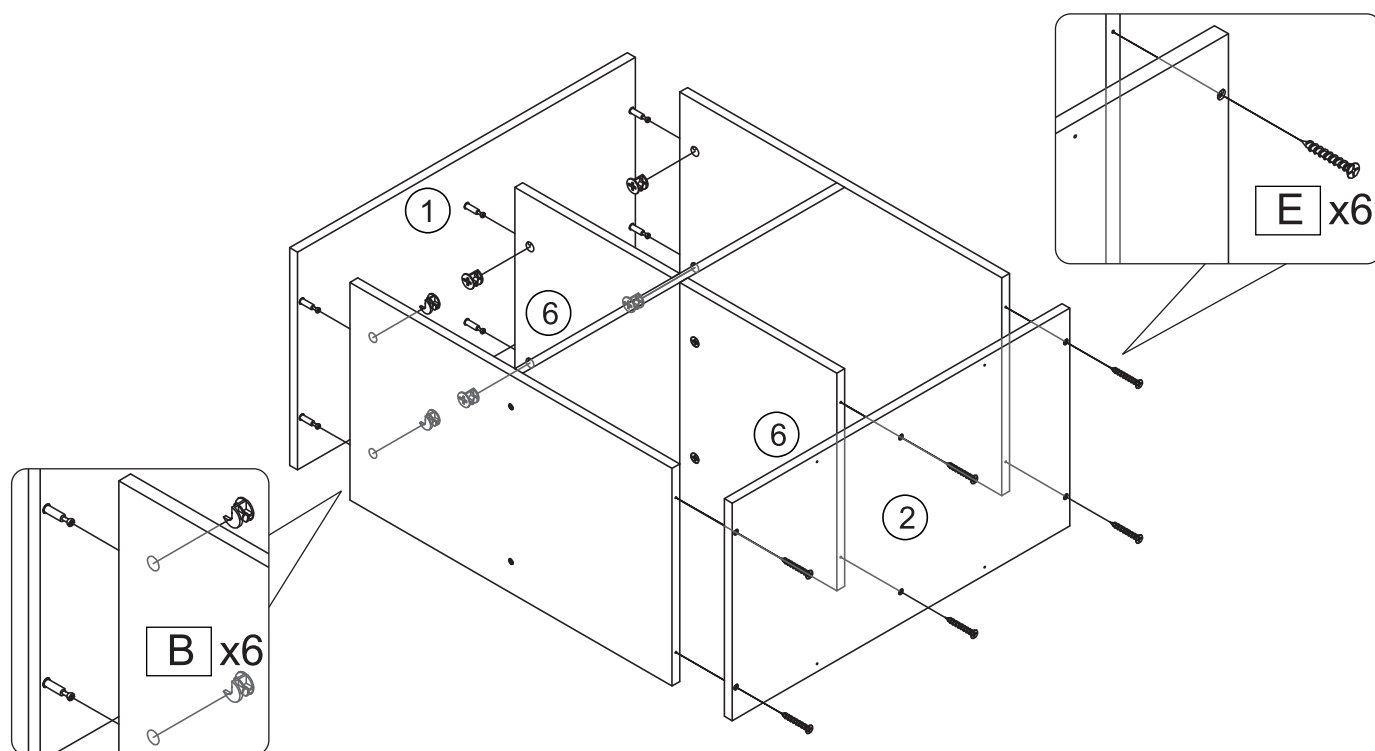
STEP 4:



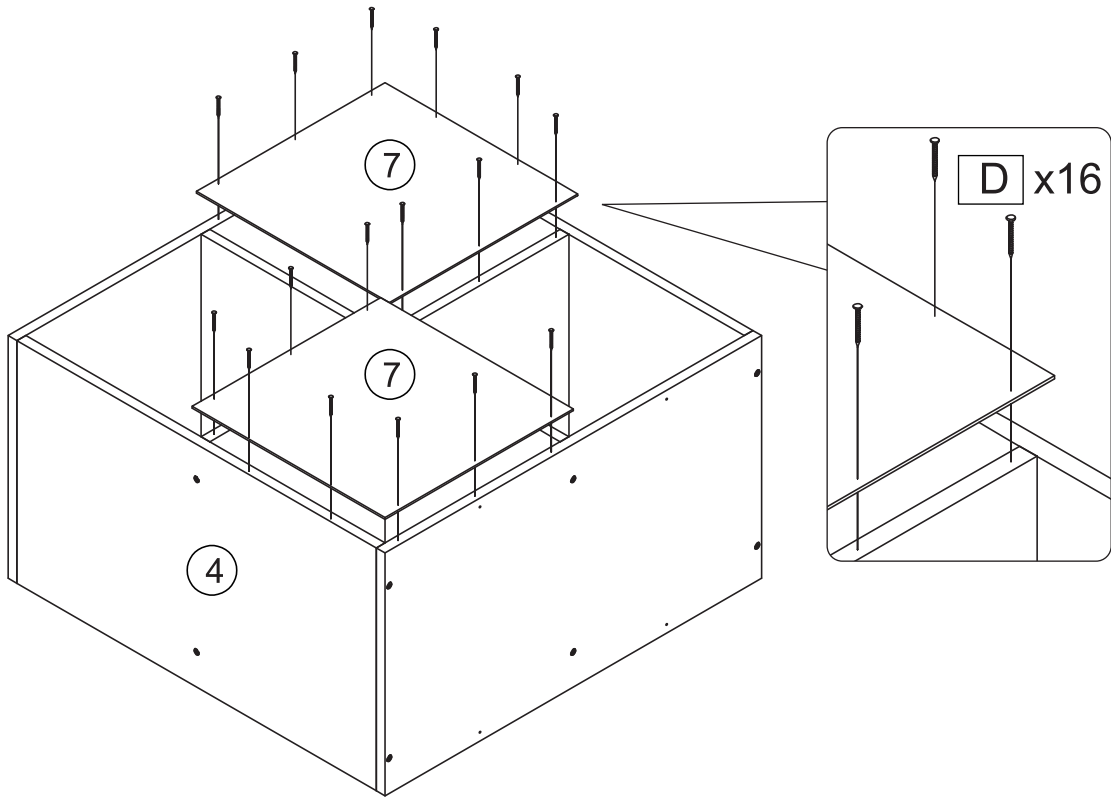
STEP 5:



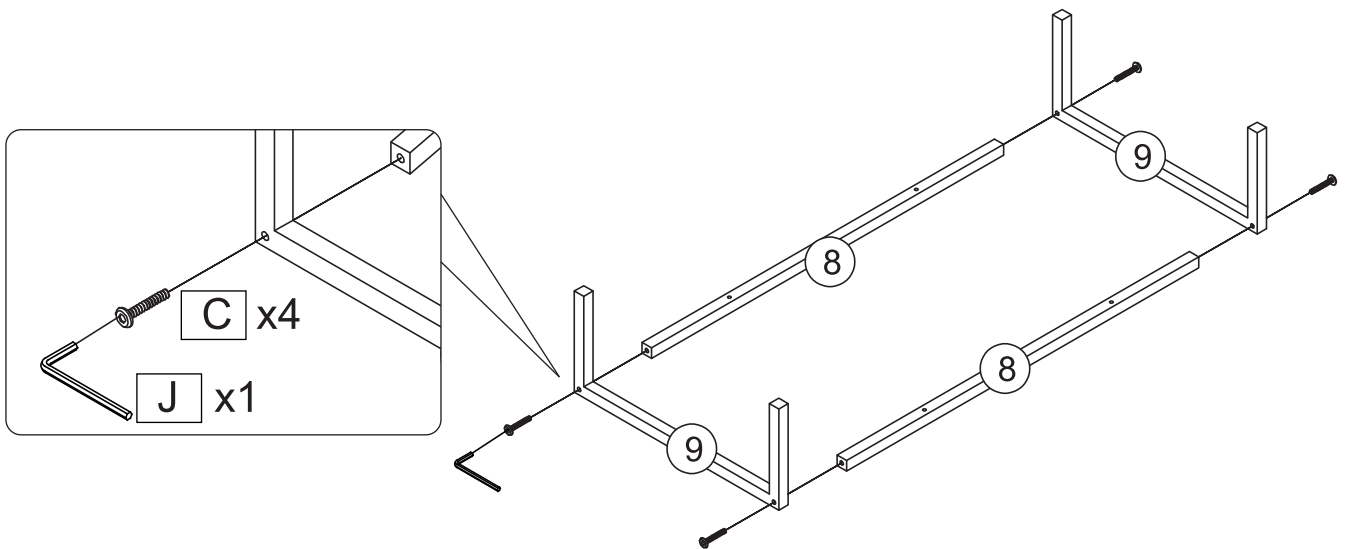
STEP 6:



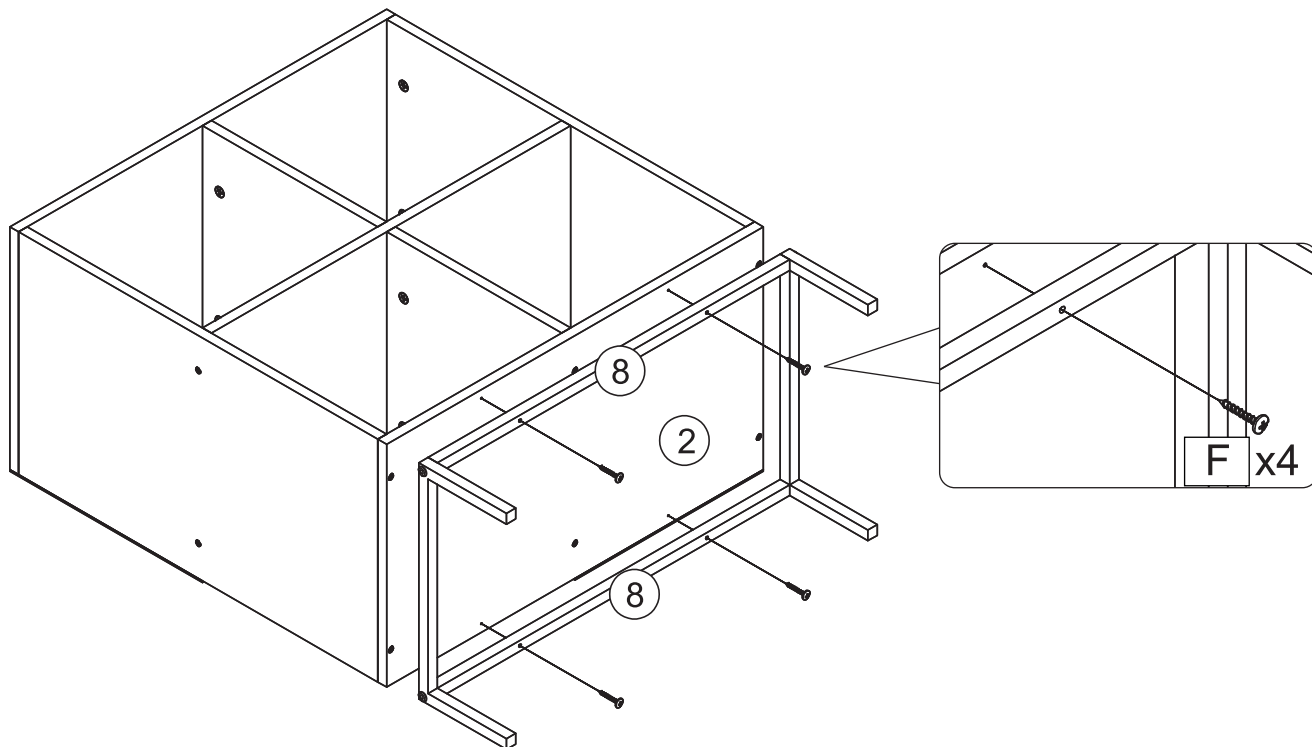
STEP 7:



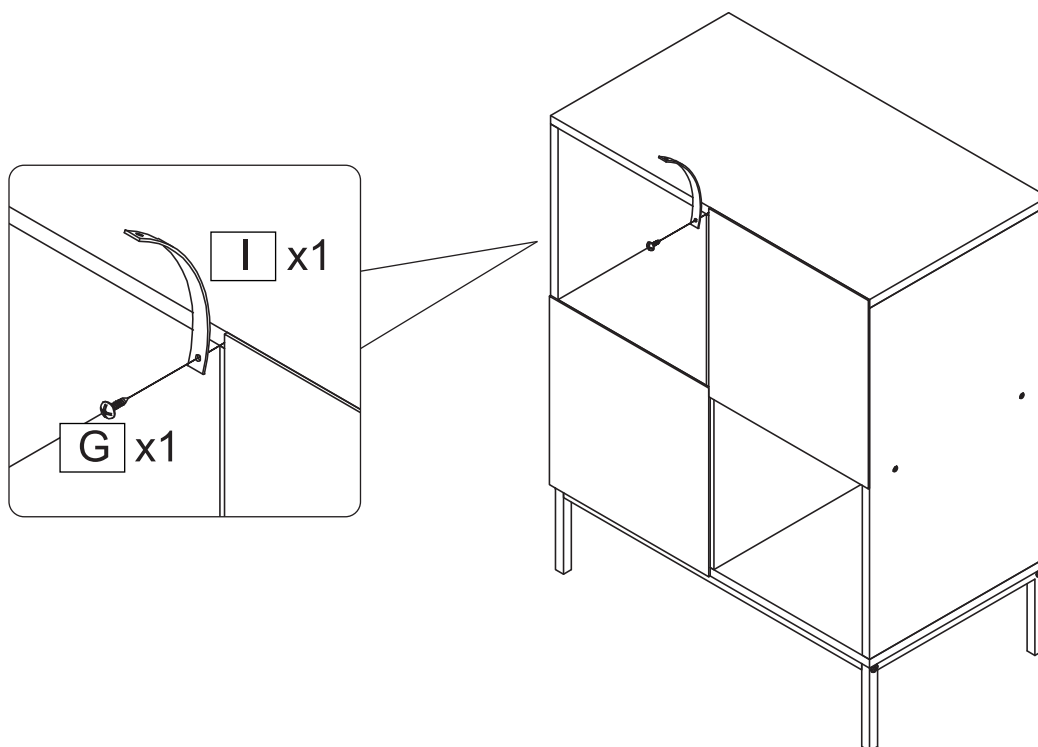
STEP 8:



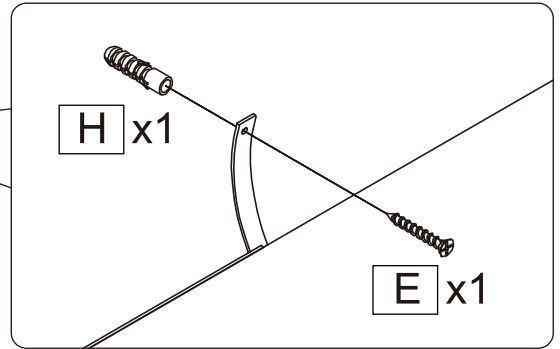
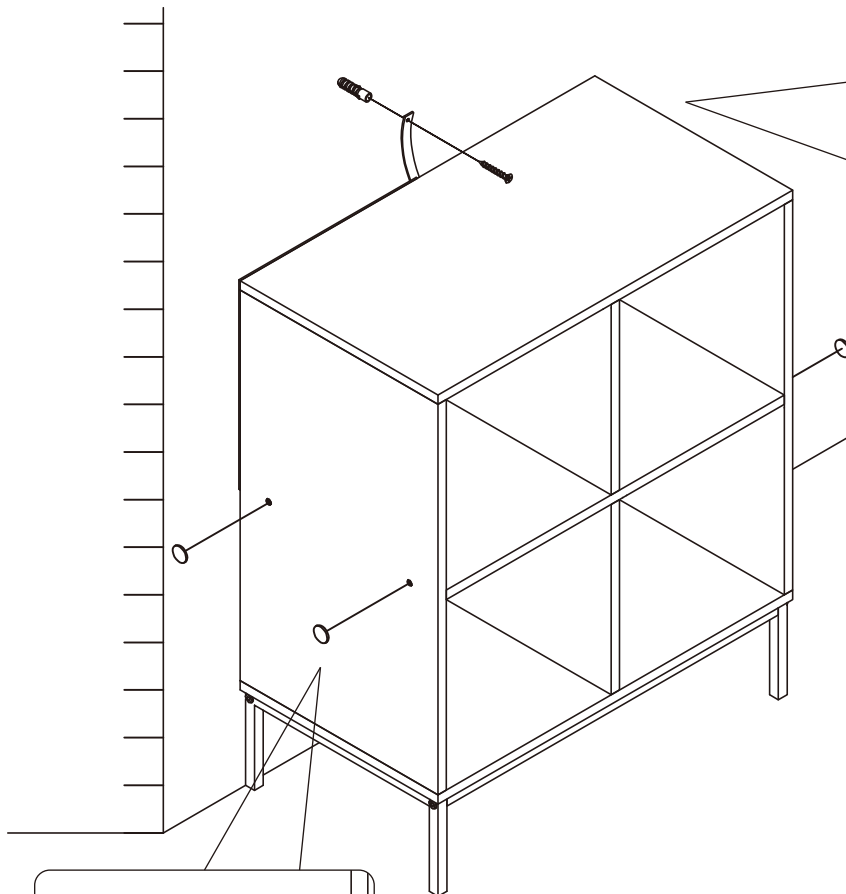
STEP 9:



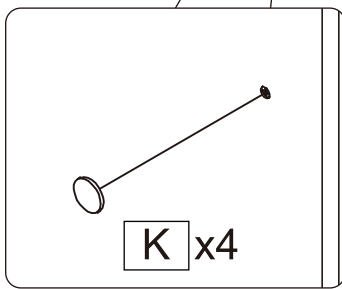
STEP 10:



STEP 11:



WARNING: Anti-tipping hardware is only a deterrent. It is not a substitute for proper adult supervision. Young children may be injured by tipping furniture and the use of a tipping restraint is highly recommended. This hardware, when properly installed, could provide protection against the unexpected tipping of furniture due to improper use. Please ensure the anti-tipping hardware provided is suitable for your wall or else it might damage your wall during installation.



- Do not overtighten screws and fittings.
- Re-tighten all screws and fittings periodically.