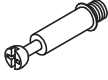
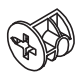


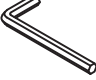





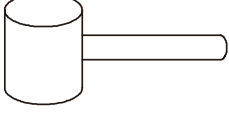
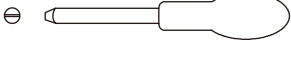
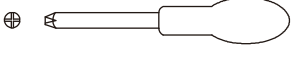

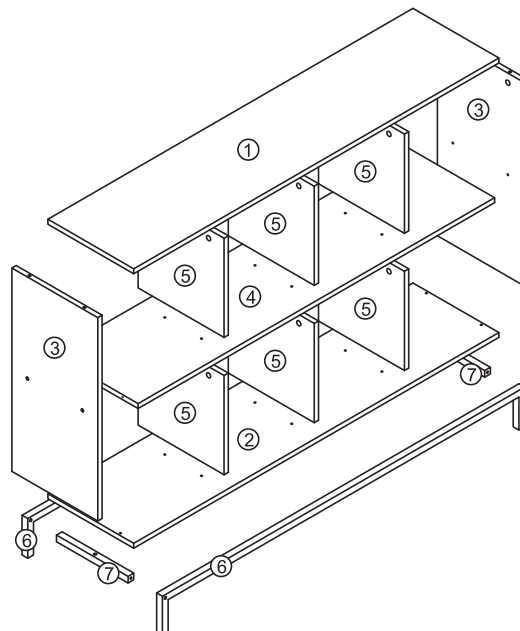


INCLUDED PARTS

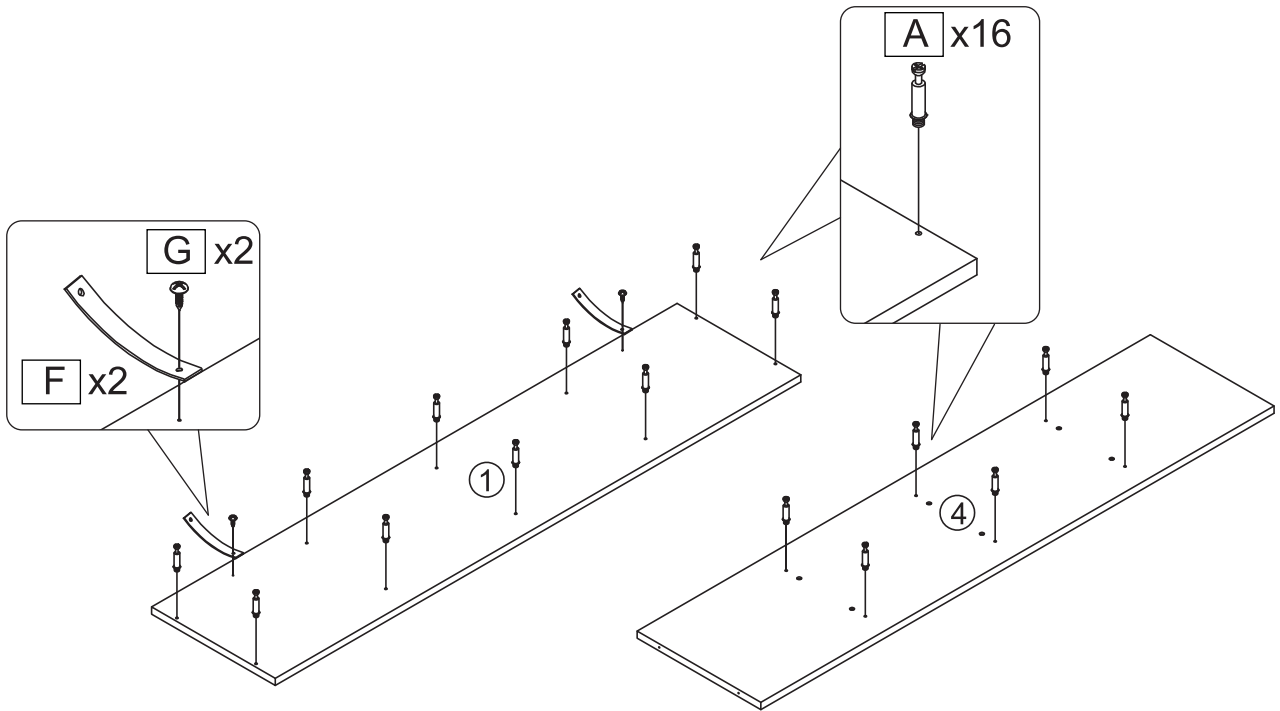
A	x16	B	x16	C	x6	D	x4	E	x1
				 Dia:4x25mm		 Dia:6x30mm			
PIN		CAM LOCK		SCREW		SCREW		ALLEN KEY	
F	x2	G	x2	H	x2	I	x22	J	x4
		 Dia:4x12mm				 Dia:4x35mm			
ANTI-TIP STRAP		SCREW		WALL PLUG		SCREW		CAP STICKER	
REQUIRED TOOLS									
   									

INSTRUCTIONS

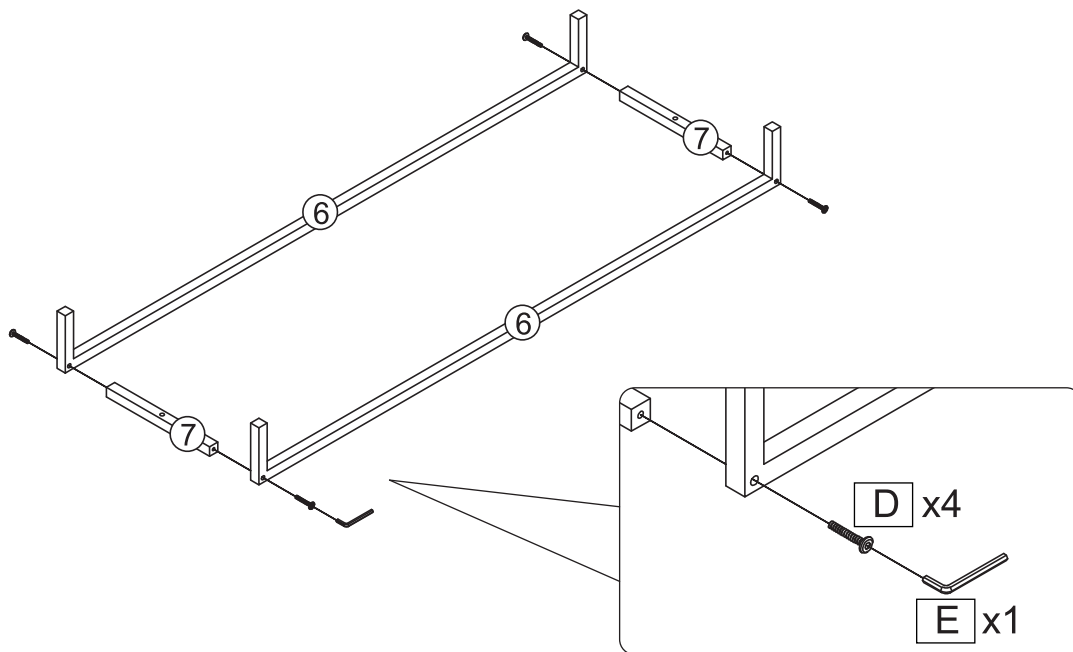
Please read the instructions carefully. Remove all wrapping material, staples and packing straps from the carton. See included parts list for guidance. Be sure you have all the parts before you start assembling. Place all wooden furniture on a clean and flat soft surface, such as a carpet or rug to prevent it from being scratched.



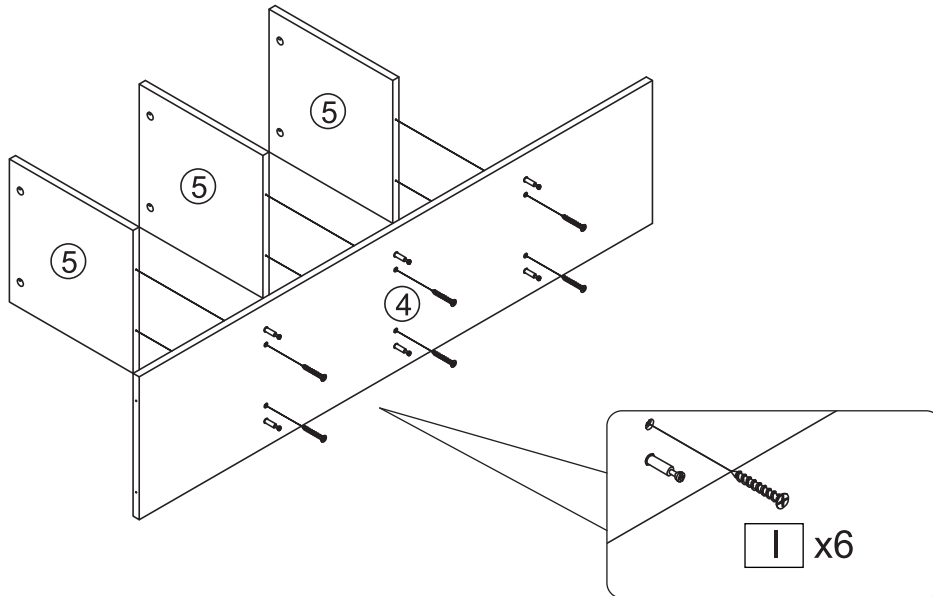
STEP 1:



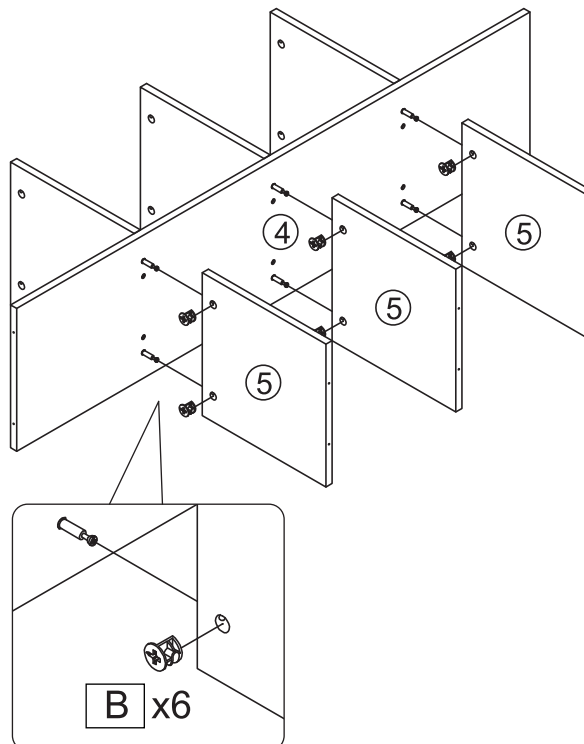
STEP 2:



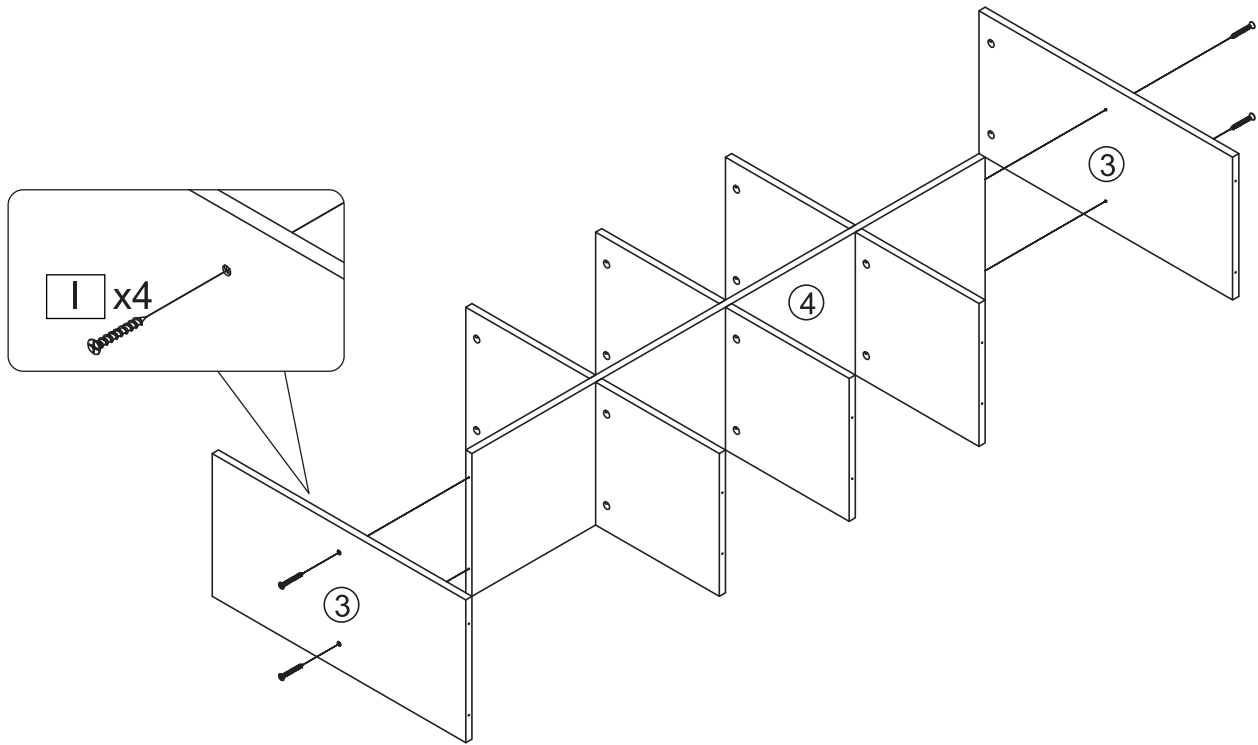
STEP 3:



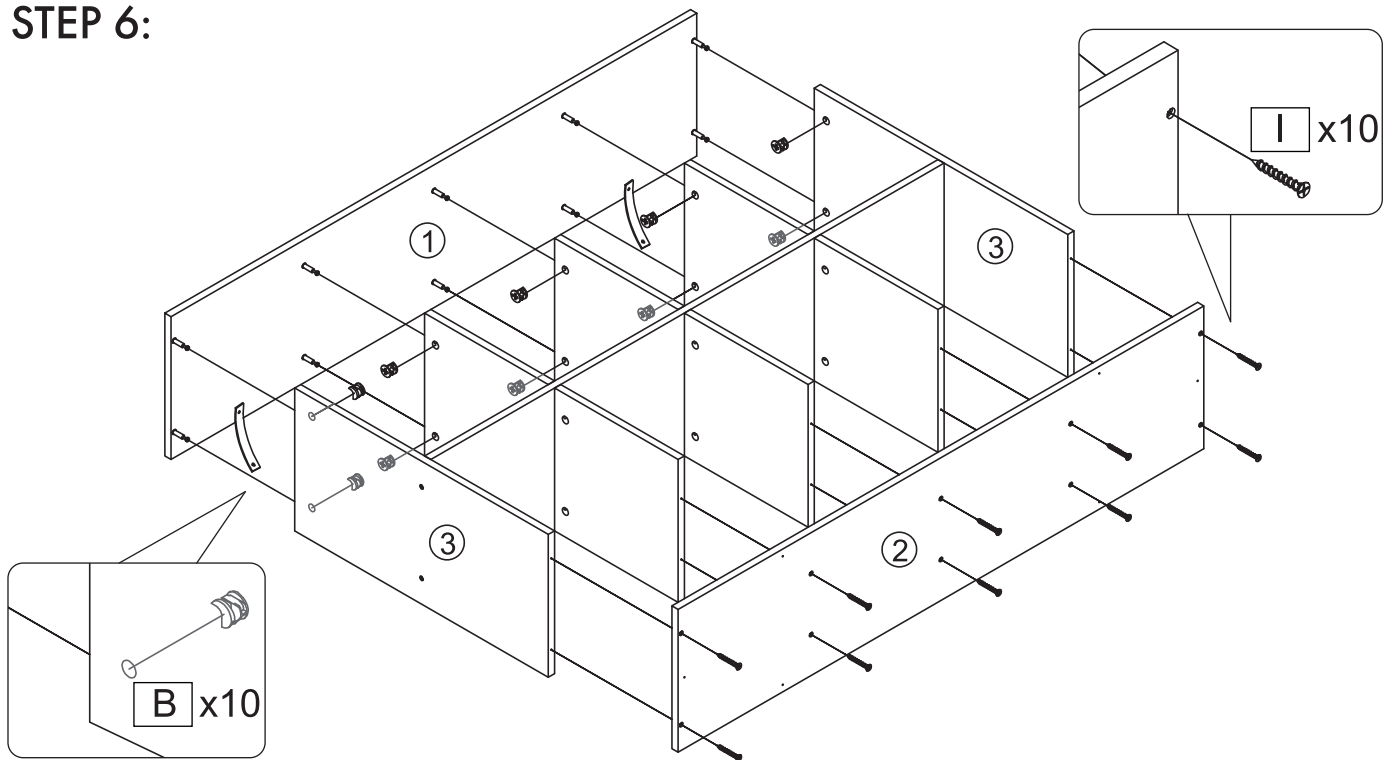
STEP 4:



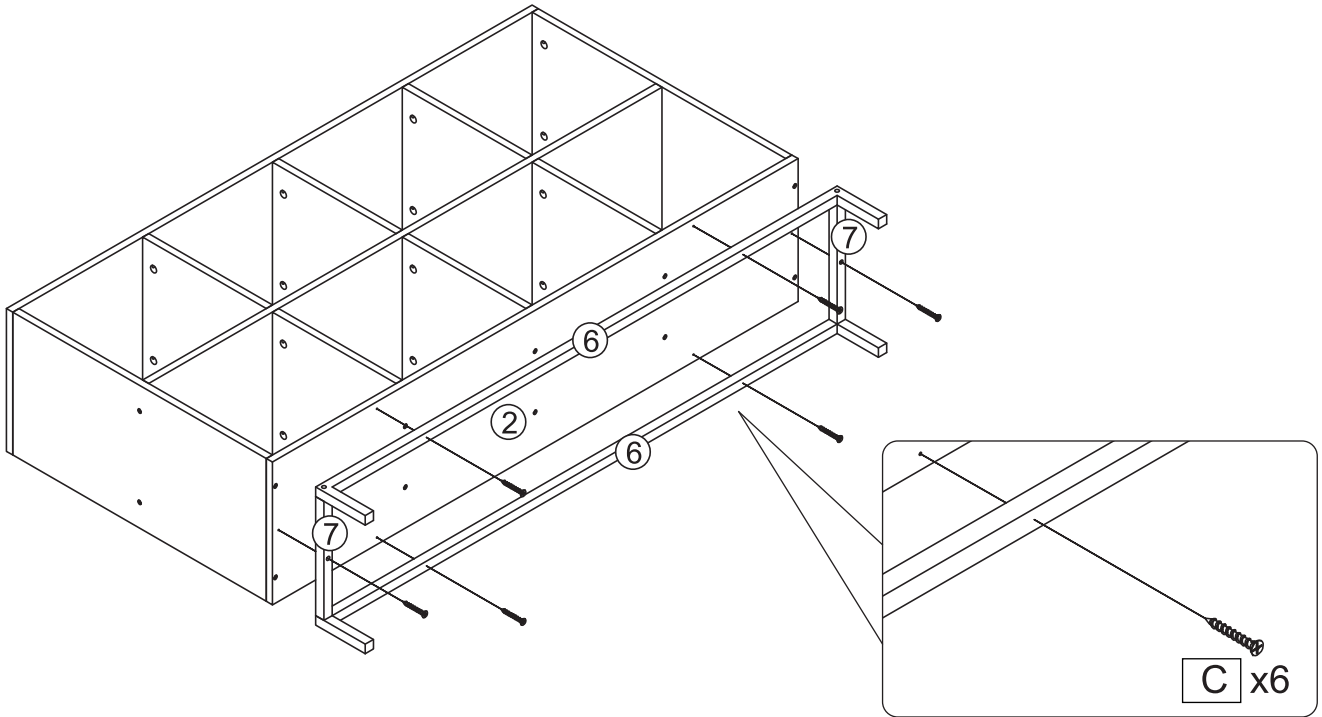
STEP 5:



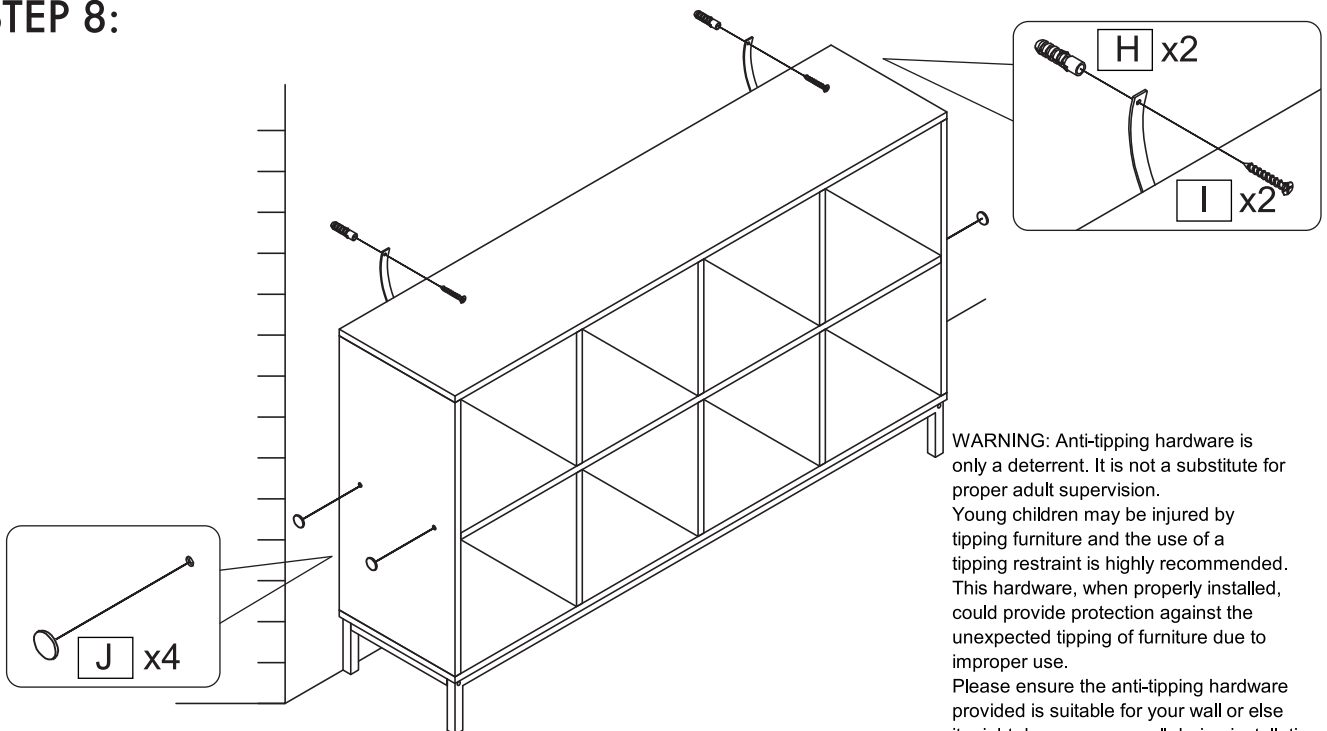
STEP 6:



STEP 7:



STEP 8:



WARNING: Anti-tipping hardware is only a deterrent. It is not a substitute for proper adult supervision. Young children may be injured by tipping furniture and the use of a tipping restraint is highly recommended. This hardware, when properly installed, could provide protection against the unexpected tipping of furniture due to improper use. Please ensure the anti-tipping hardware provided is suitable for your wall or else it might damage your wall during installation.

- Do not overtighten screws and fittings.
- Re-tighten all screws and fittings periodically.