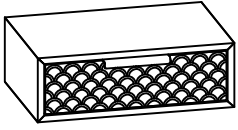
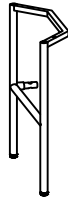


ASSEMBLY INSTRUCTIONS

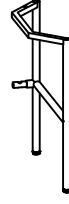
A x 1



B x 1



C x 1



D x 1



E x 2



F x 4



G x 1



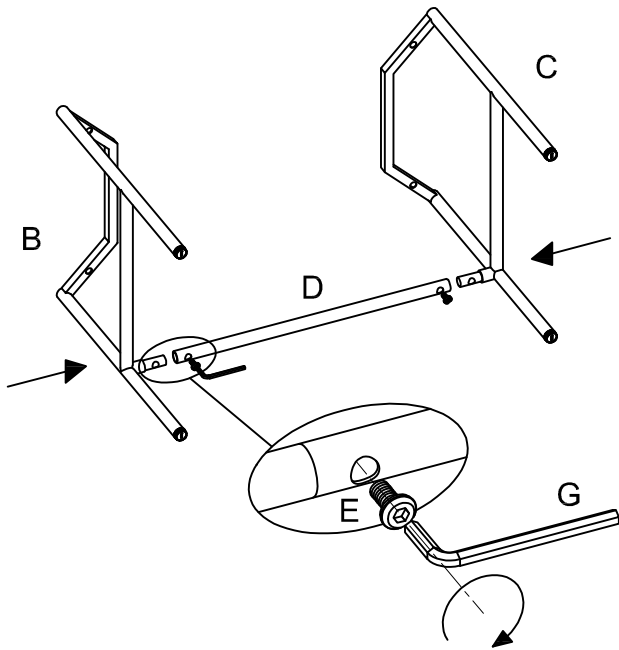
H x 1



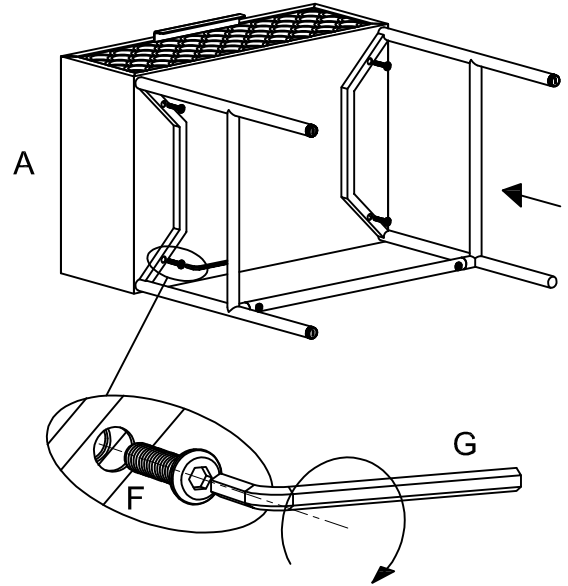
K x 1



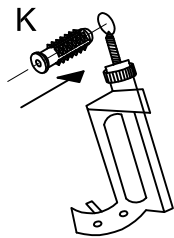
1



2



3



4

