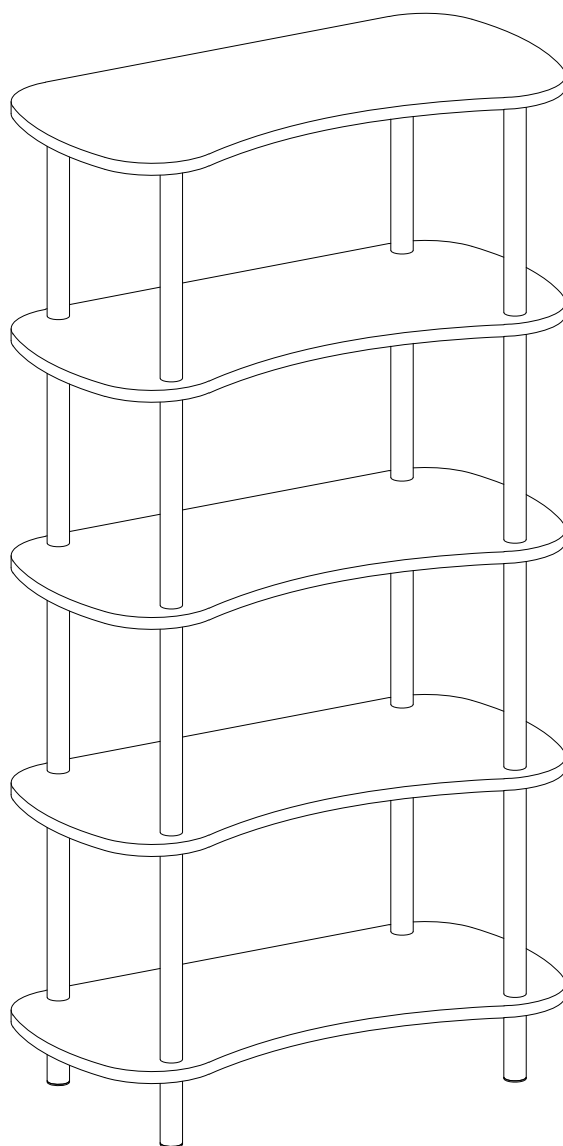


Cooper & Co.

Cairo

Organic Shelving Tall

ASSEMBLY
INSTRUCTIONS



Cheers for making this yours!

Cooper & Co is your go-to source for homeware that's as stylish as it is affordable! With our carefully curated selection, we aim to bring you the best of both worlds, ensuring that you can create a space that reflects your personal style without breaking the bank.

We're on a mission to sprinkle some pizzazz into every home. Whether you're looking to transform your living room, kitchen, or bedroom into a masterpiece, fret not! With us, you don't have to sacrifice quality or design.

TIPS BEFORE YOU START

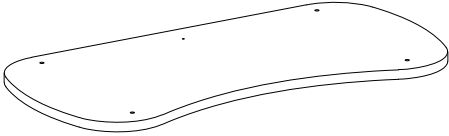
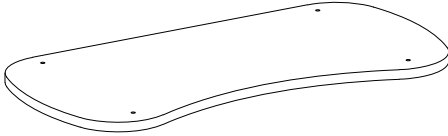


1. Sit back, take a deep breath, and get ready to dive into the laid-back world of furniture assembly. We've got your back with some simple instructions that will have you relaxing with your amazing new piece in no time.
2. Please check that all parts are present before you start the assembly of your furniture.
3. For ease and speed of assembly, we recommend that before you commence each step of the assembly, that you identify all the parts required for that step.
4. For larger items, please ensure that you have sufficient space and people to assemble your product safely.
5. We recommend that, where possible, all items are assembled near to the area in which they will be placed in use, to avoid moving the product unnecessarily once assembled.
6. For the protection of your furniture, we recommend that the product is placed on a protected surface during assembly to prevent any damage.
7. During assembly please take care not to over-tighten any fittings, as this may damage the product. Do not use power tools.
8. Always place the product on a flat, steady and stable surface.
9. Do not stand on the product. Do not use the product as a stepladder.
10. This product is intended for indoor, household use only as it is a non-industrial product.
11. Please use caution and care when lifting the product to avoid personal injury and/or product damage.

ASSEMBLY REQUIREMENTS





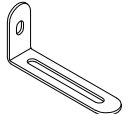

- 1.5m x 1.5m assembly space required. Give your furniture some breathing room!
- Approximately 1 hour assembly time. Remember, it's not a race, so take your time, enjoy the process.
- 2 x adults required, enlist the help of your favourite tag team.



PARTS LIST

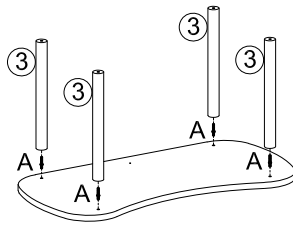
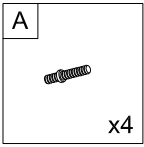
<div data-bbox="129 295 185 349" style="border: 1px solid black; padding: 2px;">1</div>  <div data-bbox="738 629 770 663" style="text-align: right;">x1</div>	<div data-bbox="794 295 850 349" style="border: 1px solid black; padding: 2px;">2</div>  <div data-bbox="1401 629 1433 663" style="text-align: right;">x4</div>
<div data-bbox="129 678 185 732" style="border: 1px solid black; padding: 2px;">3</div>  <div data-bbox="715 1014 770 1048" style="text-align: right;">x16</div>	<div data-bbox="794 678 850 732" style="border: 1px solid black; padding: 2px;">4</div>  <div data-bbox="1401 1014 1441 1048" style="text-align: right;">x4</div>

HARDWARE

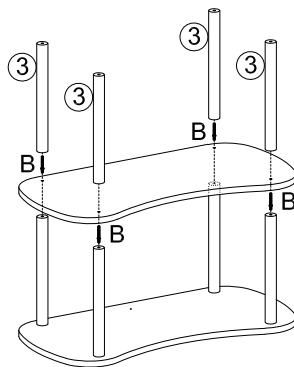
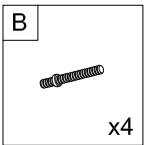
<div data-bbox="129 1330 185 1384" style="border: 1px solid black; padding: 2px;">A</div>  <div data-bbox="169 1615 432 1648" style="text-align: right;">M8x30mm x4</div>	<div data-bbox="461 1330 517 1384" style="border: 1px solid black; padding: 2px;">B</div>  <div data-bbox="496 1615 767 1648" style="text-align: right;">M8x55mm x16</div>	<div data-bbox="794 1330 850 1384" style="border: 1px solid black; padding: 2px;">C</div>  <div data-bbox="831 1615 1102 1648" style="text-align: right;">Ø4x12mm x1</div>	<div data-bbox="1128 1330 1184 1384" style="border: 1px solid black; padding: 2px;">D</div>  <div data-bbox="1166 1615 1437 1648" style="text-align: right;">Ø4x40mm x1</div>
<div data-bbox="129 1664 185 1718" style="border: 1px solid black; padding: 2px;">E</div>  <div data-bbox="169 1939 432 1973" style="text-align: right;">73x23x15mm x1</div>	<div data-bbox="461 1664 517 1718" style="border: 1px solid black; padding: 2px;">F</div>  <div data-bbox="496 1939 767 1973" style="text-align: right;">Ø6x30mm x1</div>		

ASSEMBLY INSTRUCTIONS

STEP 1

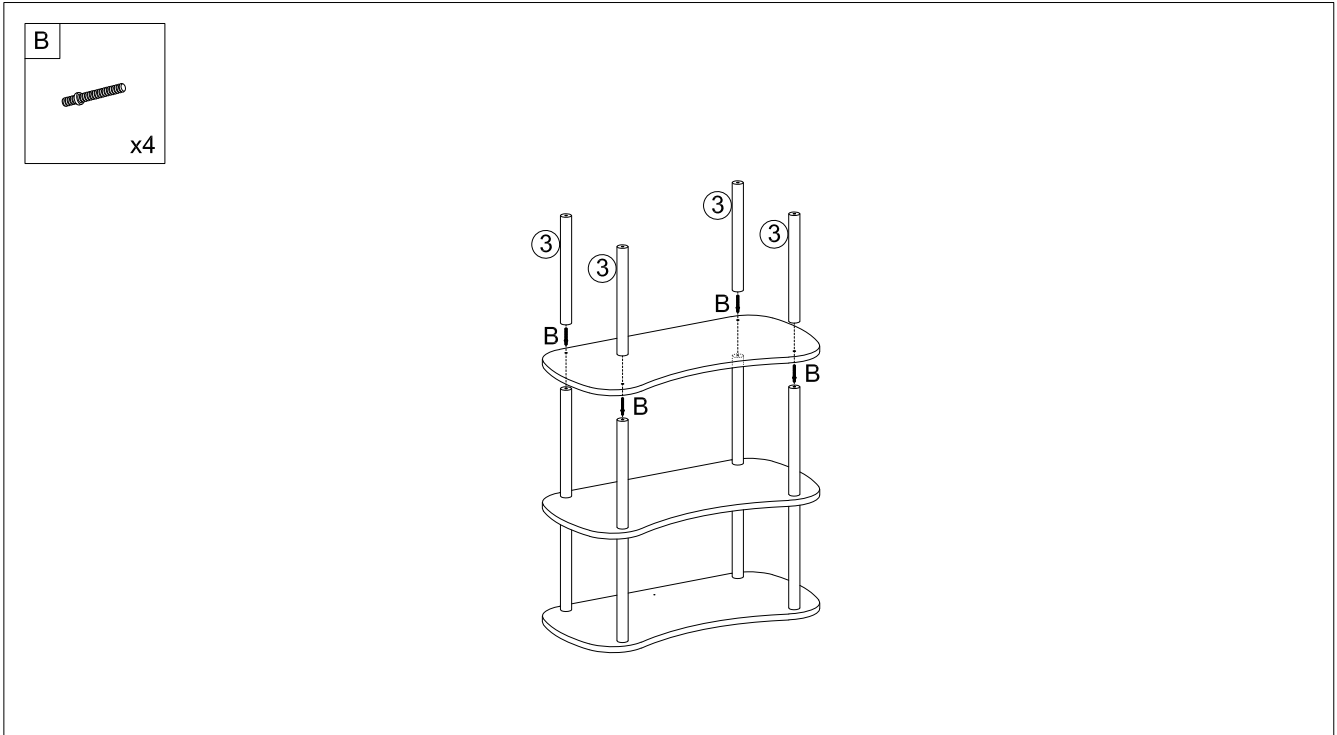


STEP 2

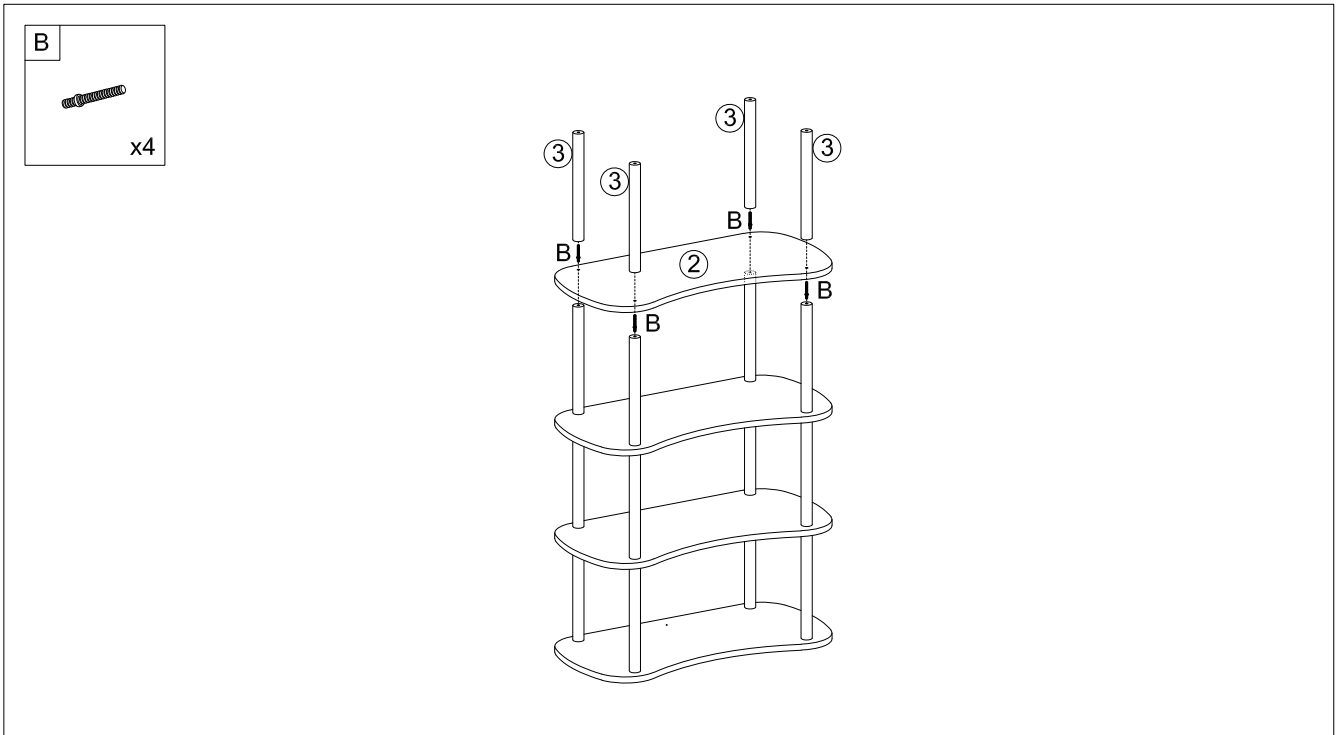


ASSEMBLY INSTRUCTIONS

STEP 3

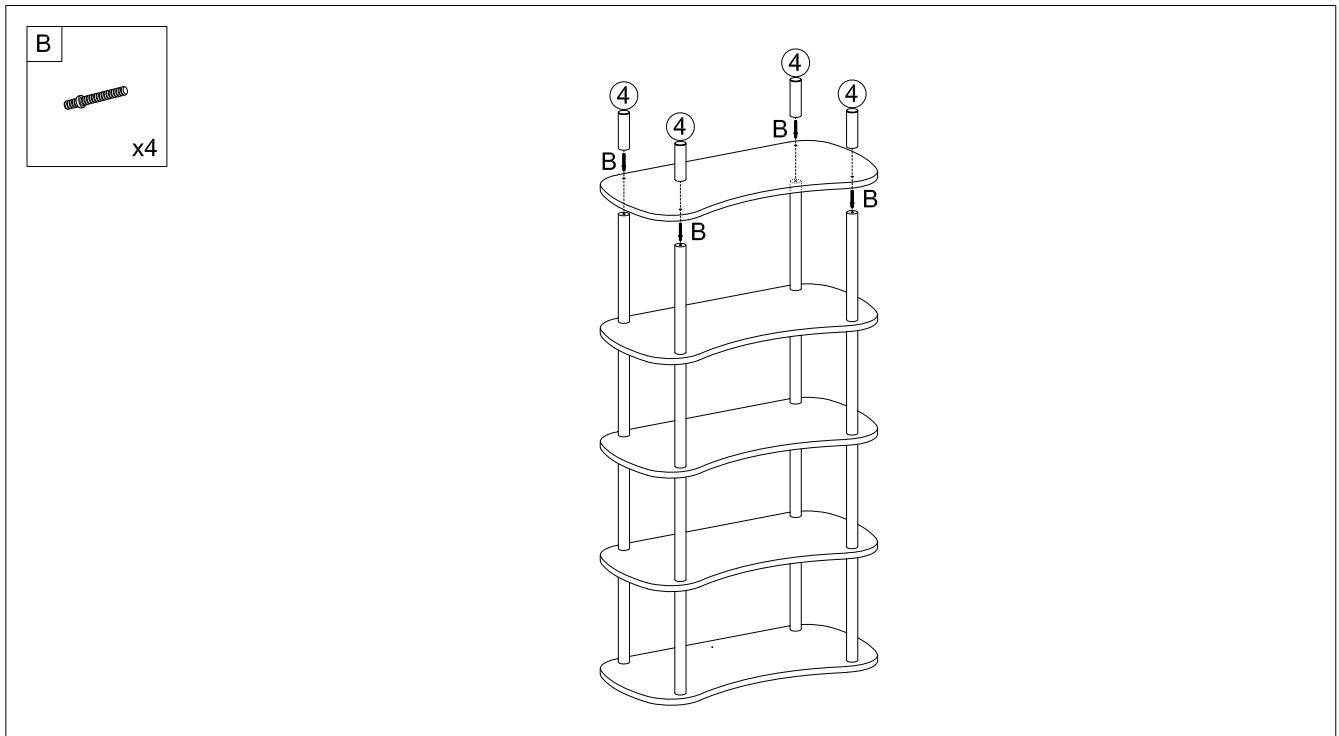


STEP 4

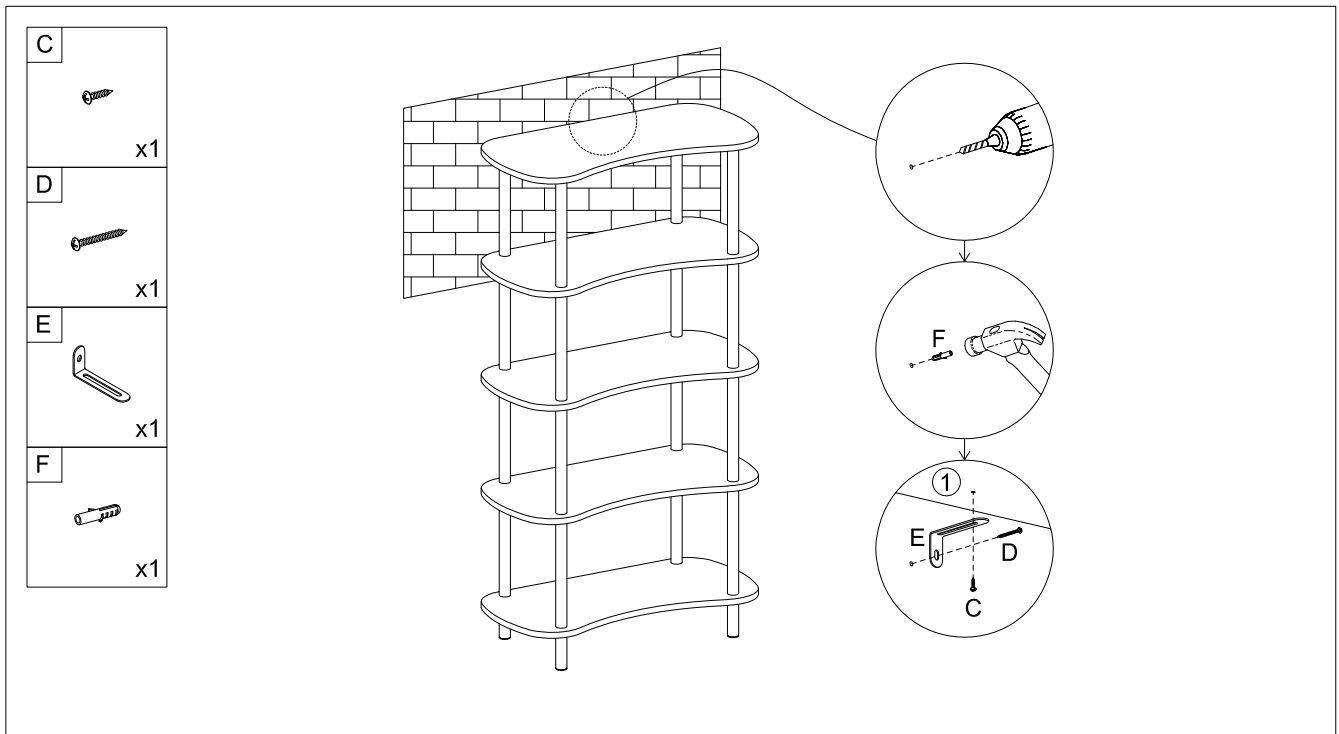


ASSEMBLY INSTRUCTIONS

STEP 5

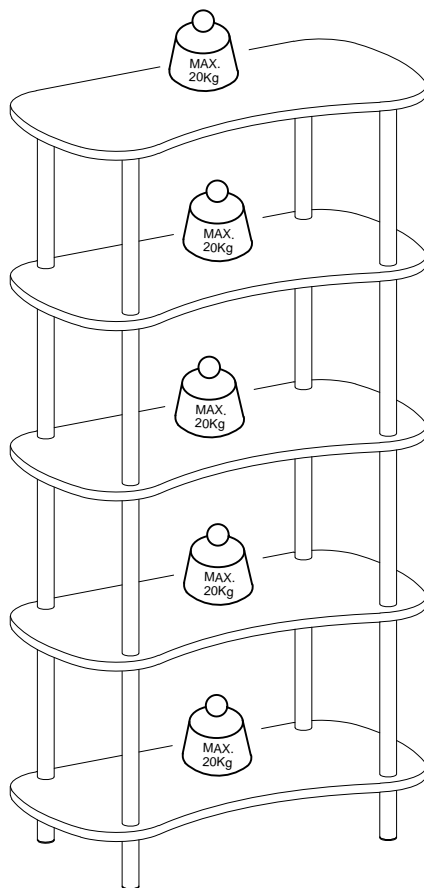


STEP 6



ASSEMBLY INSTRUCTIONS

STEP 7

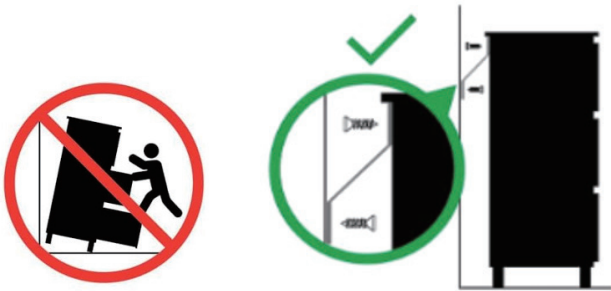


WARNING

WARNING

Children have died from furniture toppling over

- ALWAYS secure this furniture with an anchor device.
- NEVER allow children to stand, climb or hang on drawers, doors or shelves.
- NEVER open more than one drawer at a time.
- NEVER place televisions on this item.
- ALWAYS place heavy items low down



CARE & MAINTENANCE OF YOUR PRODUCT

Just a few simple steps to keep your furniture looking fabulous and functioning flawlessly:

- Please periodically check all fittings and re-tighten as necessary.
- To clean your item, please use a damp cloth and wipe clean.
- To clean glass, please use glass cleaner.
- Never allow any kind of liquid to remain on your furniture.
Absorption can cause wood to warp or finishes to de-laminate.
- Please do not place hot items (eg. hot drinks) directly on to the surface.
- Please do not drag and pull your furniture.

WARRANTY

Cooper & Co products are warranted to be free from defects in materials and workmanship for the warranty period of 12 months from the date of retail sale. Our goods come with guarantees that cannot be excluded under the Australian Consumer Law. You are entitled to a replacement or refund for a major failure and for compensation for any other reasonably foreseeable loss or damage. You are also entitled to have the goods repaired or replaced if the goods fail to be of acceptable quality and the failure does not amount to a major failure.

Cooper & Co.[®]

Cooper & Co products are waiting for you at:

www.cooperandco.com.au

Find us on Instagram at:

[cooperandco_australia](https://www.instagram.com/cooperandco_australia)