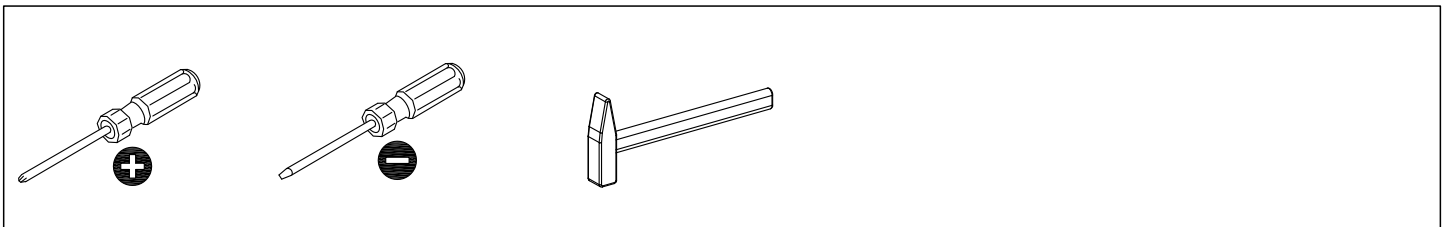
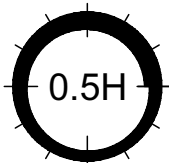
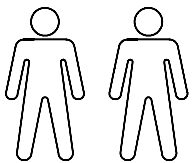
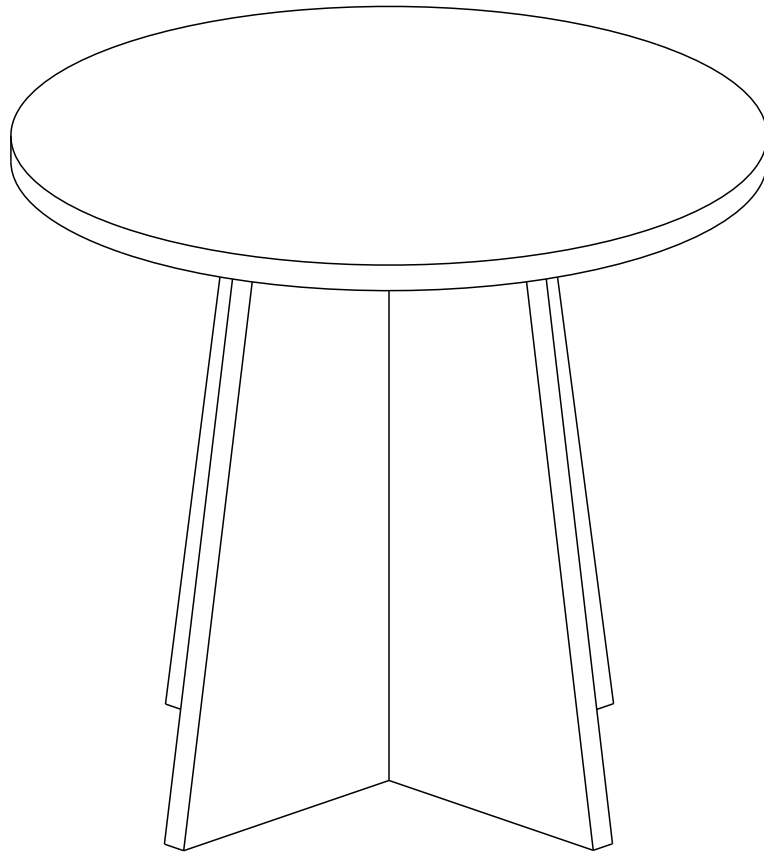
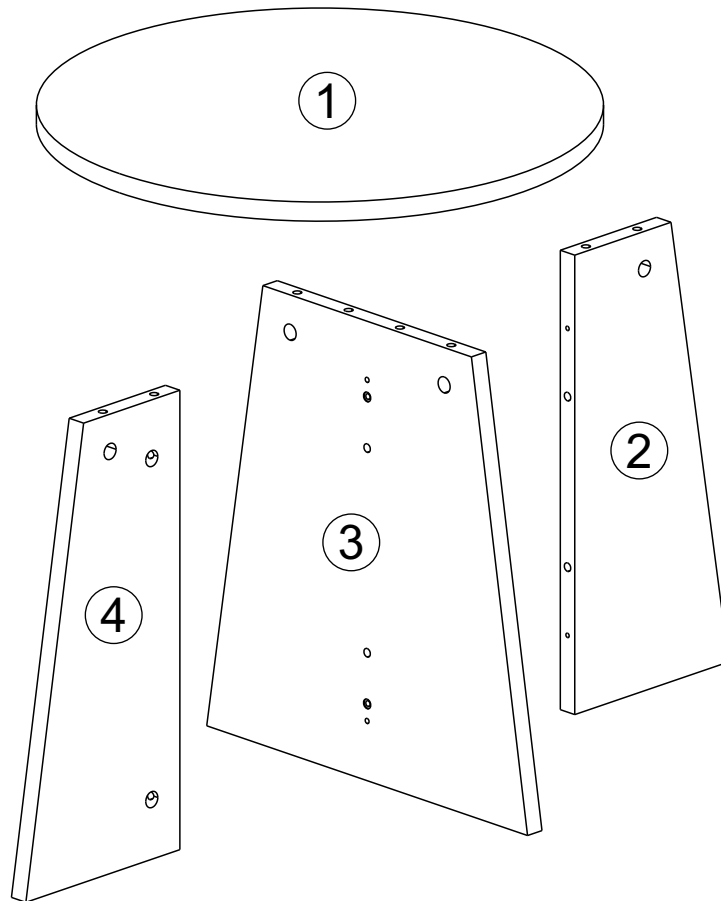


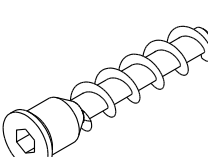
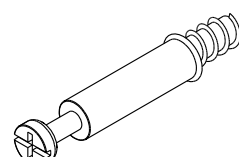
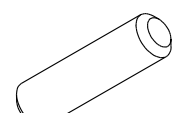
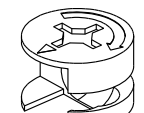



# AXIS



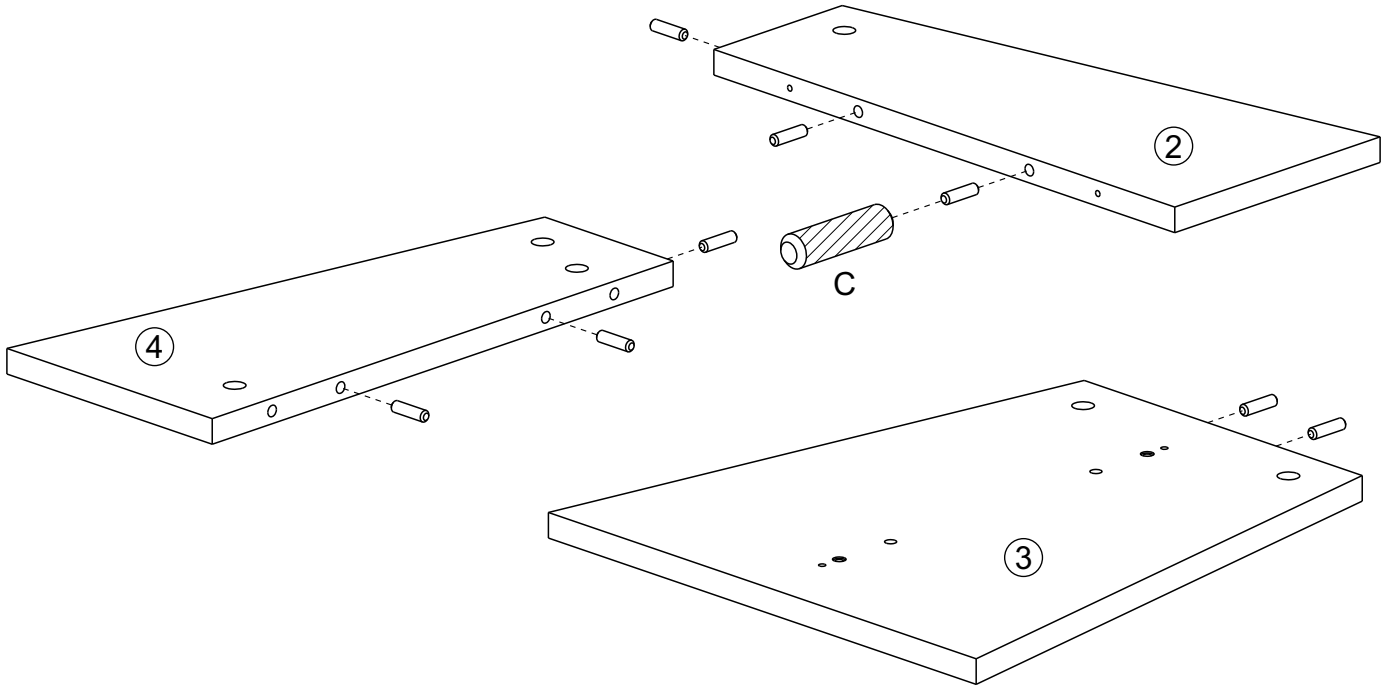
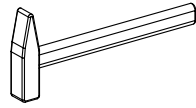
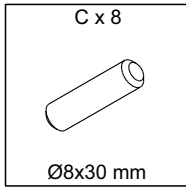
			✓
①	1	Ø500x18 mm	
②	1	431x191x18 mm	

			✓
③	1	431x400x18 mm	
④	3	431x191x18 mm	

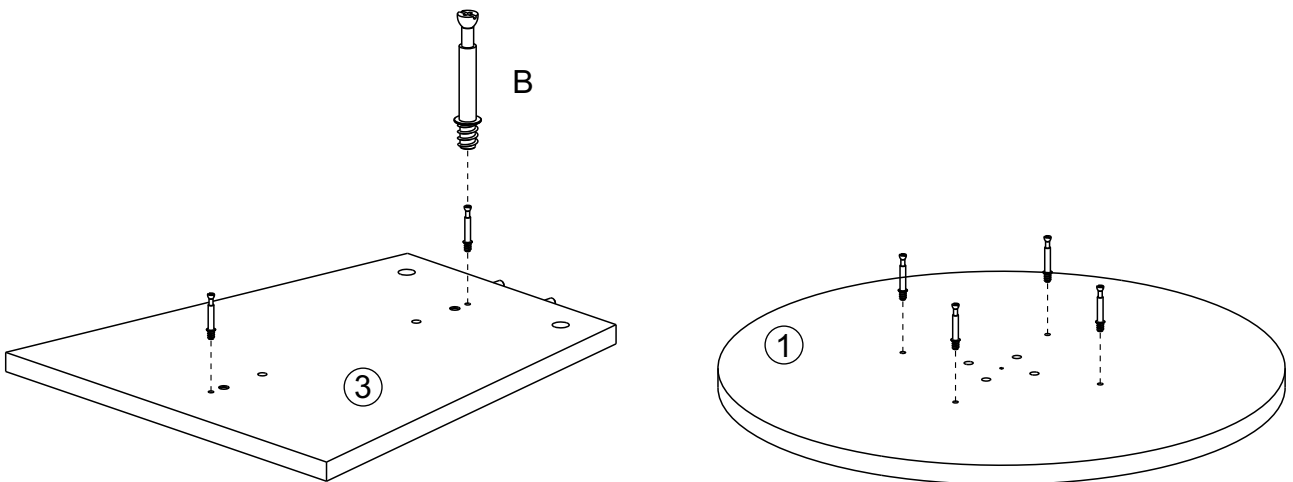
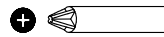
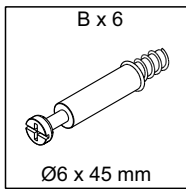


<p>A x 2</p>  <p>Ø5 x 38 mm</p>	<p>B x 6</p>  <p>Ø6 x 45 mm</p>	<p>C x 8</p>  <p>Ø8x30 mm</p>	<p>D x 6</p>  <p>Ø15 x 12 mm</p>	<p>E x 6</p>  <p>Ø21 mm</p>
<p>F x 1</p>  <p>3 mm</p>	<p>G x 4</p>  <p>Ø15 mm</p>			

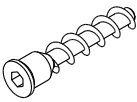

# 1

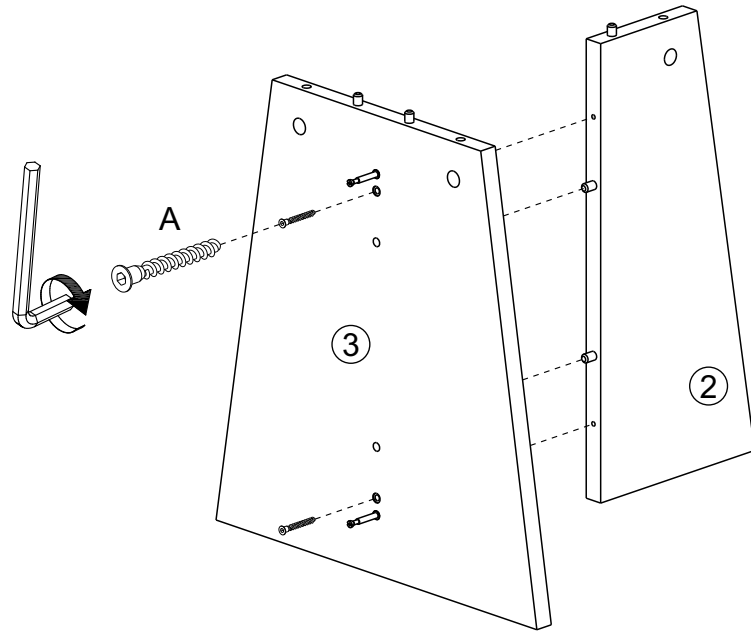


# 2

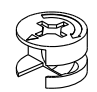


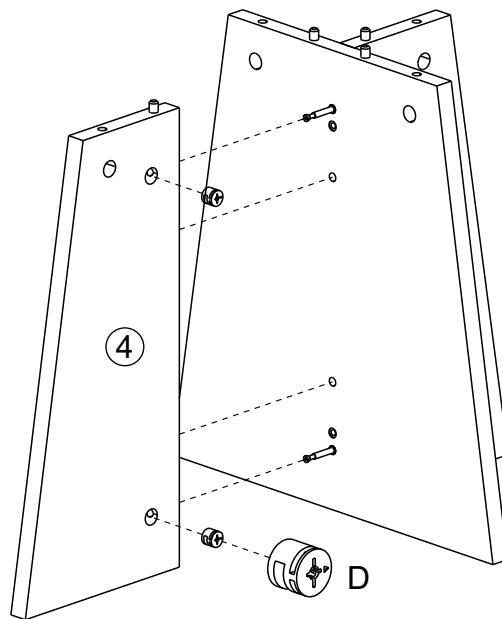
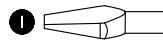
# 3

A x 2	F x 1
	
Ø5 x 38 mm	3 mm

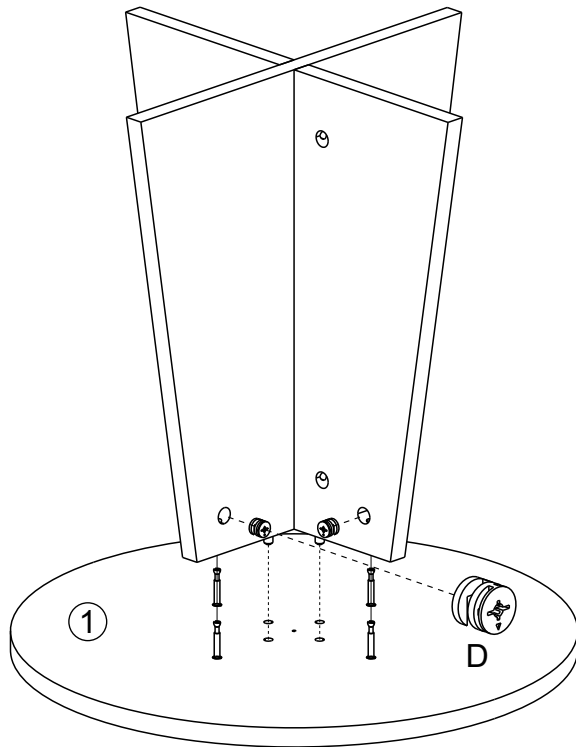
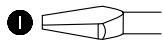
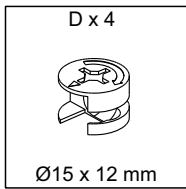


# 4

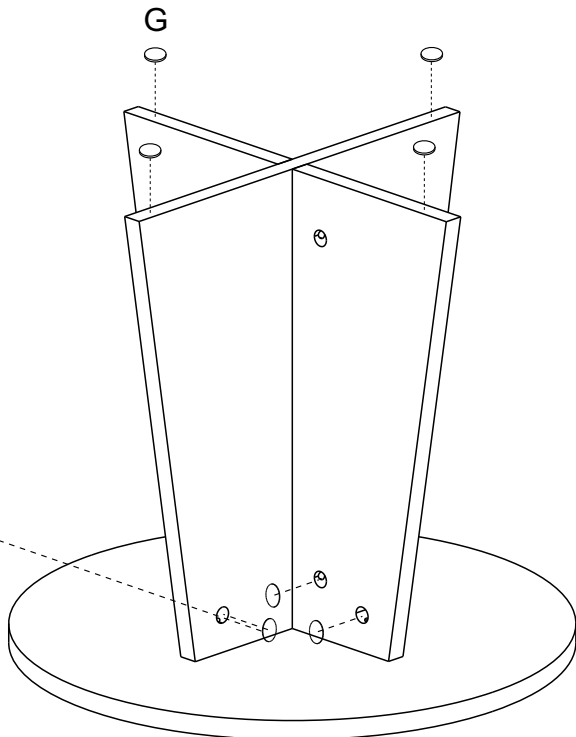
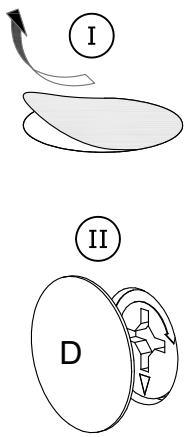
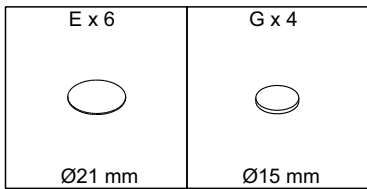
D x 2

Ø15 x 12 mm



# 5



# 6



7

